



LA INDUSTRIA DE LA CERRAJERÍA

Cam locks / Standard 139

Descripción

CYLINDERS AND LOCKS _ Cylinder for doors up to 23 mm thick with great versatility in terms of rotation directions and key exit positions. With the possibility of master keying, equalization, and grouping. This cylinder allows the distance to be adjusted by 10 mm for a better fit between the frame and the door.

KEY MODEL		AGA-12I
MATERIAL	Brass	
FINISHES	Chromed	
	Polishing	
FEATURES	L = 25,4 mm / R = 15,4 mm	
	Number of combinations: 3120	
	Number of master key combinations: please inquire	
	Weight (g): 100	
	M10x1 nut (2)	
ACCESORIES	Metal washer	
	Lock washer	
	M10x1 nut (2)	

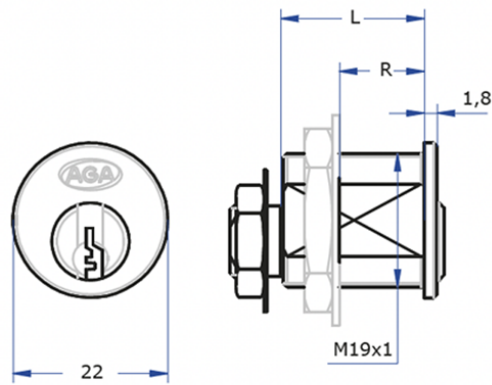
*AGA supplies the cylinder in chrome finish as standard, right-hand rotation, one keyhole, and with 2 keys.

*Other cylinder lengths supplied on request.



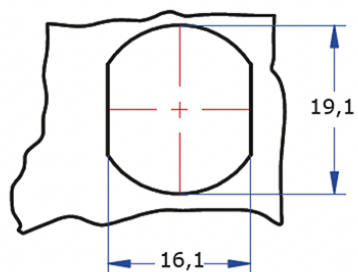
LA INDUSTRIA DE LA CERRAJERÍA

Fotos



LA INDUSTRIA DE LA CERRAJERIA

Dimensiones del orificio

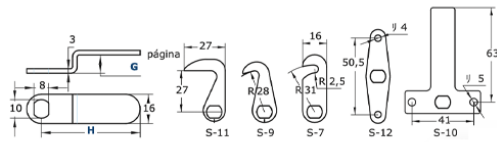


S	LENGÜETAS LISAS												
H	15	20	25	30	35	40	45	50	55	60	65	70	75

Ejemplo de pedido: S-20

S	LENGÜETAS CURVAS							
H	35	G	3	5	10	15	20	25
H	55	G	5	10	15	20	25	30

Ejemplo de pedido: Indicar la posición del cierre.
 Cerrado a las 12 y 6 cajón: S-35-3-C
 Cerrado a las 9 y 3, armario: S-35-5-A



LA INDUSTRIA DE LA CERRAJERIA