



LA INDUSTRIA DE LA CERRAJERÍA

## Cam locks / Standard 134

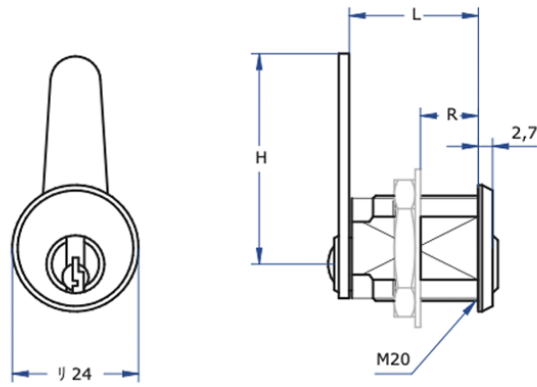
### Descripción

*CYLINDERS AND LOCKS* \_ Cylinder for metal and wooden furniture for doors with thicknesses of up to 4 mm, 13 mm, or 15 mm. Cannot be mastered, but can be matched and grouped.

<b>KEY MODEL</b>	AGA-9I
	FORTIS-2I
<b>MATERIAL</b>	Zamak
<b>FINISHES</b>	Chromed
	Brass plating
<b>FEATURED</b>	L = 18,5 / R = 4 mm
	L = 18,5 / R = 13 mm
	L = 25 / R = 15 mm
	Number of combinations: 620 / 3.120
	Weight (g): 60 / 74
<b>ACCESORIES</b>	M20 nut

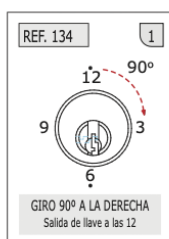
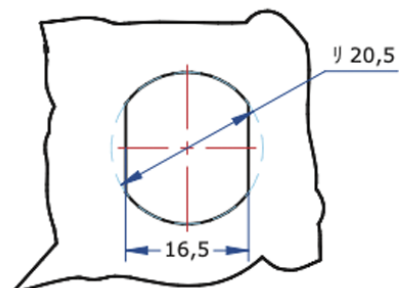
\*AGA supplies the cylinder with a C-40 tongue, L = 18.5 mm, in chrome finish, right-hand rotation, one keyhole, and two keys as standard. \*Possibility of serving the bulb with a staple fastening. L = 18.5 mm, R = 4 mm or R = 13 mm.

## Fotos



LA INDUSTRIA DE LA CERRAJERÍA

### Dimensiones del orificio



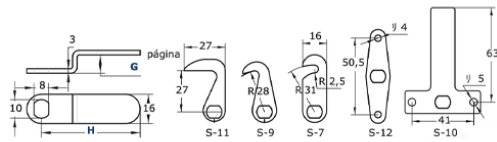
LA INDUSTRIA DE LA CERRAJERIA

S	LENGÜETAS LISAS												
H	15	20	25	30	35	40	45	50	55	60	65	70	75

Ejemplo de pedido: S-20

S	LENGÜETAS CURVAS									
H	35	G	3	5	10	15	20	25		
H	55	G	5	10	15	20	25	30		

Ejemplo de pedido: Indicar la posición del cierre.  
 Cerrado a las 12 y 6 cajón: S-35-3-C  
 Cerrado a las 9 y 3, armario: S-35-5-A



LA INDUSTRIA DE LA CERRAJERÍA