



LA INDUSTRIA DE LA CERRAJERÍA

Cam locks / Security 799

Descripción

CYLINDERS AND LOCKS _ Cylinders for doors with thicknesses up to 27 mm, offering great versatility in terms of rotation direction (right and left) and key exit position (1 or 2 positions). Can be matched and grouped.

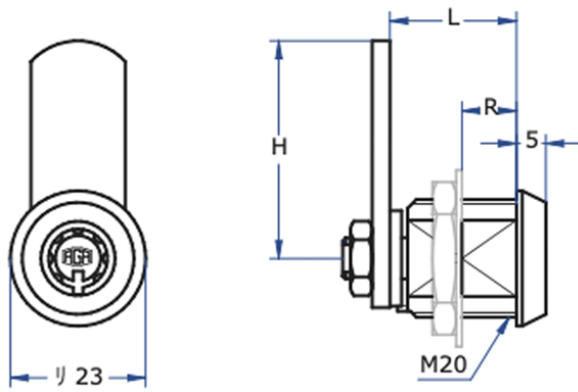
KEY TYPE	AGA-3T (Security)
MATERIAL	Zamak Cylinder
FINISHES	Chromed
	Brass plating
FEATURED	L = 21,5 mm / R = 13 mm
	L = 32 mm / R = 27 mm
	No. of combinations: 63500
	Weight (grs.): 90/116
ACCESORIES	M-20 x 1,25 nut
	M-7 x 1 nut
	Lock washer
	Travel Washer
	Toothed Washer

* AGA supplies the cylinder as standard in a bright chrome finish with a T-101 or TG-1 tongue, right-hand rotation, one keyhole, and two keys.



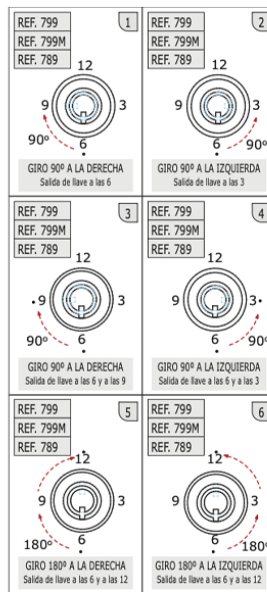
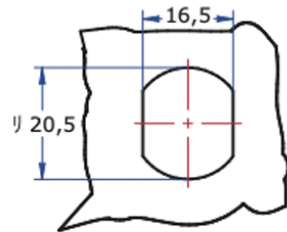
LA INDUSTRIA DE LA CERRAJERÍA

Fotos



LA INDUSTRIA DE LA CERRAJERIA

Dimensiones del orificio M20



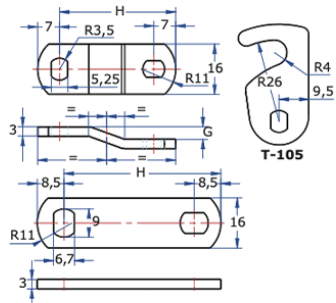
LA INDUSTRIA DE LA CERRAJERIA

Lengüetas 799

Ref.	H	G
T-101	37	0
T-102	40	5
T-103	55	0
T-104	60	5
T-106	30	0
T-110	60	10
T-115	60	15

Lengüetas 789

Ref.	H
TG1	50
TG2	36,5



LA INDUSTRIA DE LA CERRAJERÍA