



LA INDUSTRIA DE LA CERRAJERÍA

Euro profile cylinder 457

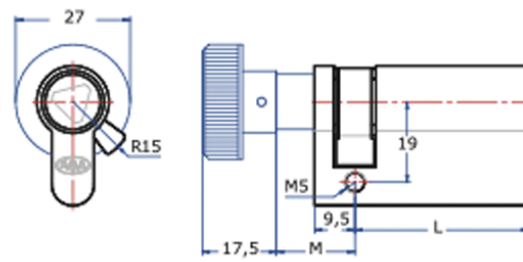
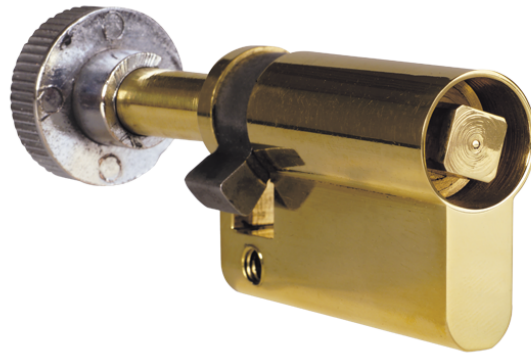
Descripción

CYLINDERS AND LOCKS _ Brass Euro profile cylinder for various geometrical key forms. Handle opening possibility from the inside.

FIGURE	8mm square
MATERIAL	Brass
FINISHES	Nickel-plated
	Without finishes
FEATURE	L = 41 mm / M = 18,5 mm
	L = 41 mm / M = 32,5 mm
	L = 41 mm / M = 48,5 mm
	Turn: 360°
	Weight (grs.): 188
KEY	3018C (optional)

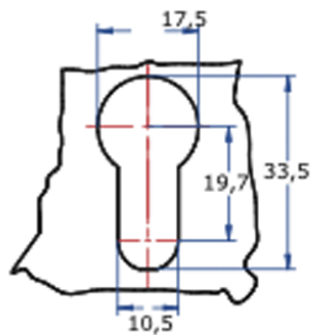
*AGA supplies as standard polished cylinders and L = 41 mm and M = 18.5 mm measures.

Fotos



LA INDUSTRIA DE LA CERRAJERIA

Dimensiones del orificio



LA INDUSTRIA DE LA CERRAJERÍA