



LA INDUSTRIA DE LA CERRAJERÍA

## Euro profile cylinder 450

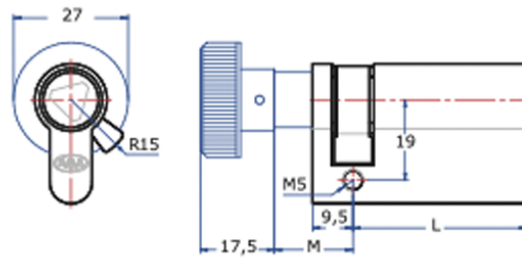
### Descripción

CYLINDERS AND LOCKS \_ Brass Euro profile cylinder for various geometrical key forms. Handle opening possibility from the inside.

<b>FIGURE</b>	Double Blade
<b>MATERIAL</b>	Brass
<b>FINISHES</b>	Nickel-plated
	Without finishes
<b>FEATURE</b>	L = 41 mm / M = 18,5 mm
	L = 41 mm / M = 32,5 mm
	L = 41 mm / M = 48,5 mm
	Turn: 360°
	Weight (grs.): 180
<b>KEY</b>	301DP (optional)

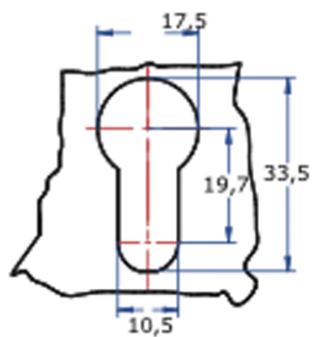
\*AGA supplies as standard polished cylinders and L = 41 mm and M = 18.5 mm measures.

## Fotos



LA INDUSTRIA DE LA CERRAJERIA

Dimensiones del orificio



LA INDUSTRIA DE LA CERRAJERÍA