



LA INDUSTRIA DE LA CERRAJERÍA

Euro profile cylinders 436

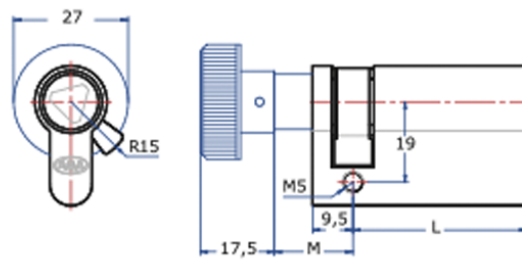
Descripción

CYLINDERS AND LOCKS _ Brass Euro profile cylinder for various geometrical key forms. Handle opening possibility from the inside.

FIGURE	8 mm Square Socket
MATERIAL	Brass
FINISHES	Nickel-plated
	Without finishes
FEATURE	L = 30 mm
	L = 41 mm
	L = 62 mm
	Turn: 360°
	Weight (grs.): 140
KEY	3018CM (optional)

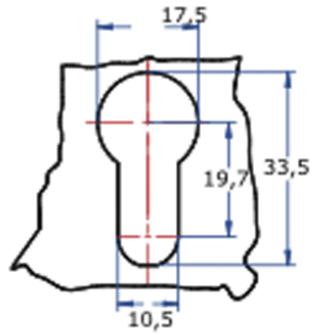
*AGA supplies as standard polished cylinders and L = 41 mm and M = 18.5 mm measures.

Fotos



LA INDUSTRIA DE LA CERRAJERIA

Dimensiones del orificio



LA INDUSTRIA DE LA CERRAJERIA