



LA INDUSTRIA DE LA CERRAJERÍA

Rolling and Tilting Doors Lock 182

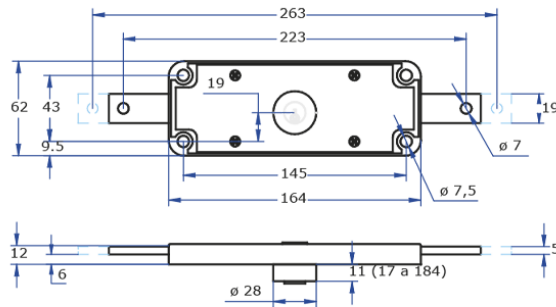
Descripción

CYLINDERS AND LOCKS _ Central locks for rolling and tilting doors. Opening possibility from both sides.

KEY TYPE	Aga-10 (Standard)
MATERIAL	Brass Cylinder
FINISH	Polished
FEATURES	No. of Combinations: 42
	Weight (g): 574

*AGA supplies locks with 3 keys as standard.

Fotos



LA INDUSTRIA DE LA CERRAJERÍA