



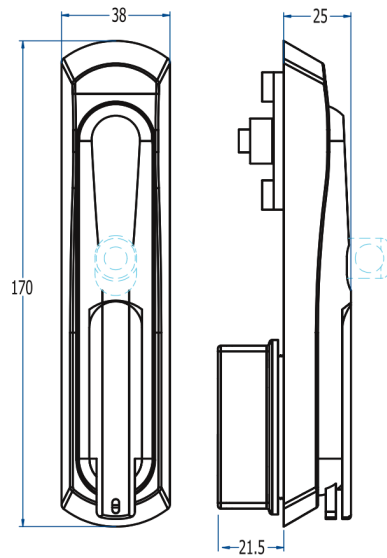
LA INDUSTRIA DE LA CERRAJERÍA

# Handle 6040PJC

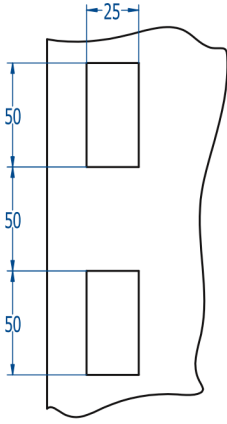
## Descripción

*SERIES 6040* \_ Polyamide swinghandle series 6040 for cabinet with thickness between 1,5mm and 4,5mm. The modularity of this series gives you a wide range of solutions. Suitable for bars and transmission boxes as well as for locking rods and cams. Model with the option of mounting a half Euro profile cylinder.

## Fotos



LA INDUSTRIA DE LA CERRAJERIA



LA INDUSTRIA DE LA CERRAJERIA