



LA INDUSTRIA DE LA CERRAJERÍA

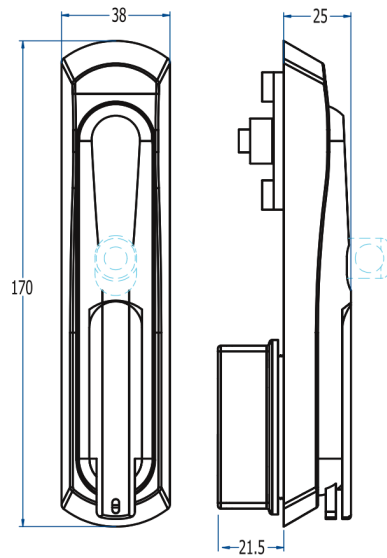
Handle 6042RZJC

Descripción

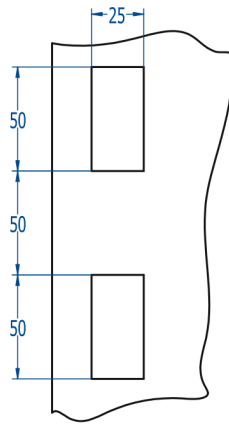
SERIES 6040 _ Polyamide swinghandle series 6040 for cabinet with thickness between 1,5mm and 4,5mm. The modularity of this series gives you a wide range of solutions. Suitable for bars and transmission boxes as well as for locking rods and cams. Model with the option of mounting a half Euro profile cylinder.

TYPE	Slot
FINISH	Chromium plated
WEIGHT (grs)	40

Fotos



LA INDUSTRIA DE LA CERRAJERIA



LA INDUSTRIA DE LA CERRAJERÍA