



LA INDUSTRIA DE LA CERRAJERÍA

## Rolling and Tilting Doors Lock 584

### Descripción

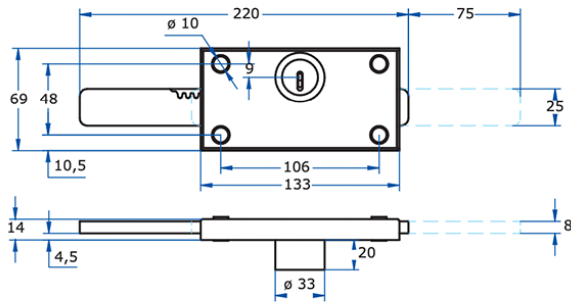
*CYLINDERS AND LOCKS* Central locks for rolling and tilting doors. Opening possibility from both sides. Central locks for rolling and tilting doors, with opening possibility from both sides. The 584 lock is a lateral lock with a single point of closure. The 580 lock is a central lock with three points of closure.

#### FEATURES ACCESORIES

KEY TYPE	Aga-12 (Security)
MATERIAL	Brass Cylinder
FINISH	Polished
No. of Combinations: 3888	
Weight (grs): 792	
Anti-drill Shield	

\*AGA supplies locks with 3 keys as standard.

## Fotos



LA INDUSTRIA DE LA CERRAJERÍA