



LA INDUSTRIA DE LA CERRAJERÍA

Rolling and Tilting Doors Lock 195

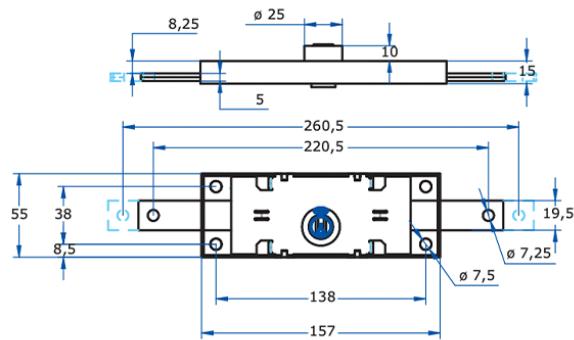
Descripción

CYLINDERS AND LOCKS Central locks for rolling and tilting doors.

KEY TYPE	Aga-10 (Standard)
MATERIAL	Brass Cylinder
FINISH	Polished
FEATURES	No. of Combinations: 42
	Weight (grs): 486

*AGA supplies locks with 3 keys as standard.

Fotos



LA INDUSTRIA DE LA CERRAJERÍA