



LA INDUSTRIA DE LA CERRAJERÍA

## Rolling and Tilting Doors 196

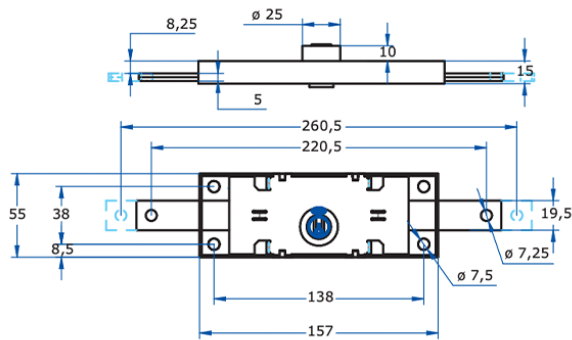
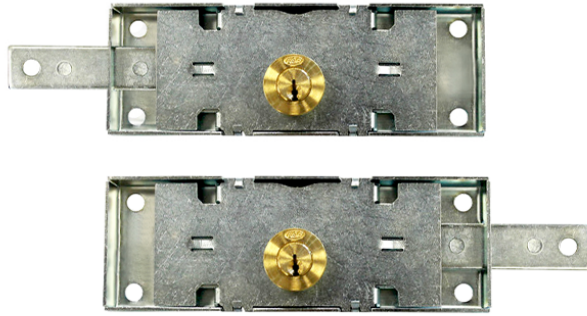
### Descripción

*CYLINDERS AND LOCKS* Central locks for rolling and tilting doors.

<b>KEY TYPE</b>	Aga-10 (Standard)
<b>MATERIAL</b>	Brass Cylinder
<b>FINISH</b>	Polished
<b>FEATURES</b>	No. of Combinations: 42
	Weight (grs): 486

\*AGA supplies locks with 3 keys as standard.

## Fotos



LA INDUSTRIA DE LA CERRAJERÍA