



LA INDUSTRIA DE LA CERRAJERÍA

## Special cylinder TESESA serie

### Descripción

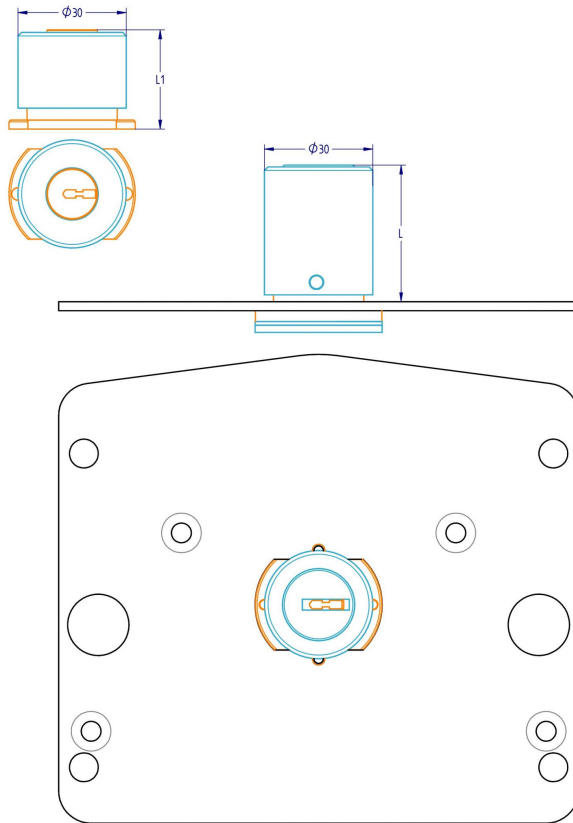
*CYLINDERS AND LOCKS* Set of 2 brass security cylinders for the “TESESA” lock model, featuring anti-intrusion, anti-bumping, and anti-pick protection, a cross-locking system (patented), and a drill-resistant protective shield mounted on a galvanized steel plate.

Ø (mm)	L1 (mm)	L (mm)	CODE
25	28	38	TESE0001
25	28	58	TESE0003
25	28	73	TESE0004
25	NO	58	TESE0002

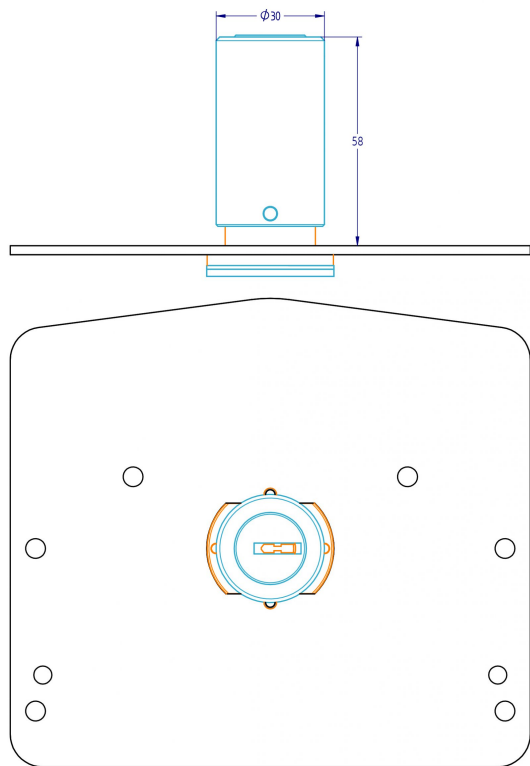
## Fotos



LA INDUSTRIA DE LA CERRAJERIA



LA INDUSTRIA DE LA CERRAJERÍA



LA INDUSTRIA DE LA CERRAJERIA