



LA INDUSTRIA DE LA CERRAJERÍA

M20 445 Pin Push Latches and Locks

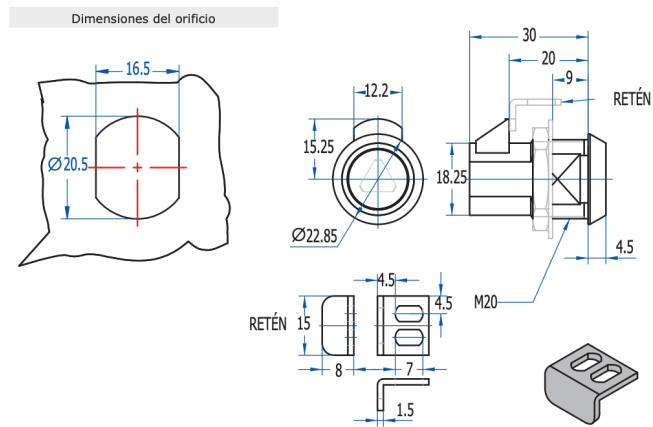
Descripción

Lock with pin push for door with thickness up to 9mm. The door is closed by pushing it, it is not necessary to use the key.

AGA supplies as standard the latches without keys except model 300 which is supplied with 2 keys series 500 or 900. Notes: for left and right door.

KEY FORM	Slot
MATERIAL	Zamak
FINISH	Chromium plated
Nº OF COMBINATIONS	-
WEIGHT(grs)	54
ACCESORIES	M20 Nut, M20 metallic washer, Stop plate
KEY	-

Fotos



LA INDUSTRIA DE LA CERRAJERIA

Otros accesorios:



Funda plegable



Funda llave



Tirador 0013



LA INDUSTRIA DE LA CERRAJERÍA