



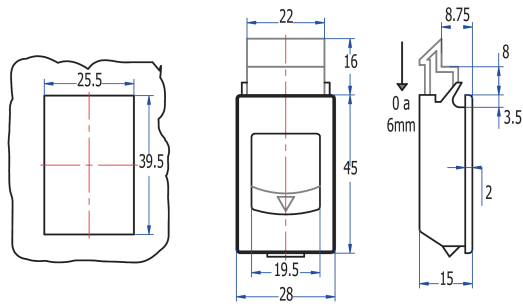
LA INDUSTRIA DE LA CERRAJERÍA

Polyamide Fastener Sliding 6950

Descripción

Sliding polyamide fastener for metal furniture panels with thicknesses ranging from 0.8 to 2 mm. No screws are needed for installation.

Fotos



LA INDUSTRIA DE LA CERRAJERIA