



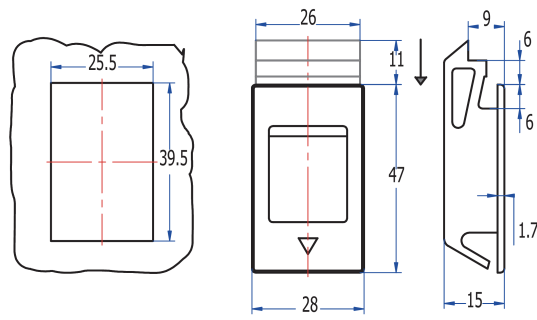
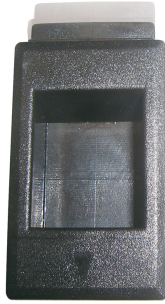
LA INDUSTRIA DE LA CERRAJERÍA

Polyamide 6951 fastener

Descripción

A simple, smooth-gliding polyamide fastener for metal furniture panels up to 2 mm thick. No screws are required for installation.

Fotos



LA INDUSTRIA DE LA CERRAJERÍA