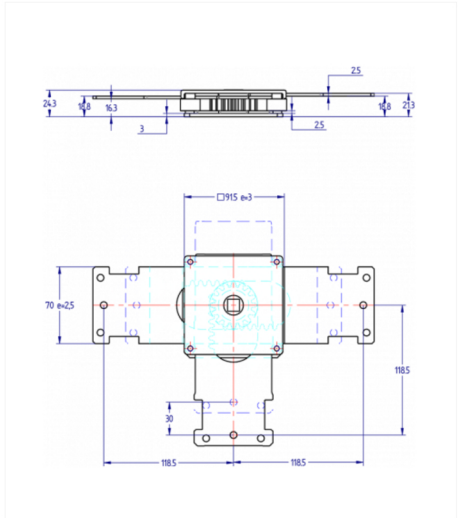


Home > High Security Industry > Bolt Works > Bolt Work No positions > 2300 No Lock Operation



2300 No Lock Operation

3 sided bolt work. No lock operation.

Shaft connections: Hole ø 6,25mm.

MATERIAL	STEEL
SHAFTS THROW/OPENING ANGLE	30mm/90°
GEAR WHEEL MATERIAL	ZAMAK
DRIVE NUT	18
FINISH	NO FINISH *
WEIGHT (grs.)	1.125

* The masterboard not coated. The other parts of the bolt work are supplied zinc plated.

