

Home > High Security Industry > Security locks > Electromechanical draw bolt security locks > 242E Electromechanical Dragging System Lock



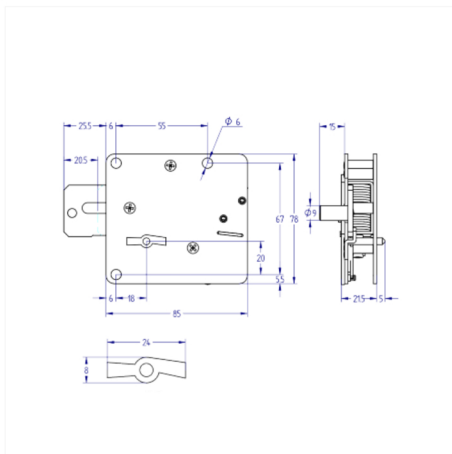
242E Electromechanical Dragging System Lock

Simple dragging lock with double intervention system, patented, 21mm bolt throw, turning 300°. Key retained when in open position. **The number of combinations of the lock is 870, and each user key combination has its own emergency key combination.**

Operating instructions:

-Coil, included into the lock, unlocked it when received a positive match, leaving the lock ready for opening by the user key. In case of power failure the lock can be unlocked mechanically using the emergency key, which performs the function of the coil.

- AGA supplies as a standard the lock with asymmetrical profile and 2 keys: AGA-11G, coil with connection and emergency key.
- Different length of key pins available.
- Locks keyed alike option available.



TYPE OF LOCK	MECHANICAL
LOCK SYSTEM	DRAGGING
Nº OF COMBINATIONS	870
POSSIBILITY OF MASTERKEY	NO
FINISH	GALVANIZED
WEIGHT (grs.)	464