



LA INDUSTRIA DE LA CERRAJERÍA

BUSINESS

QUALITY

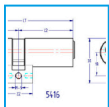
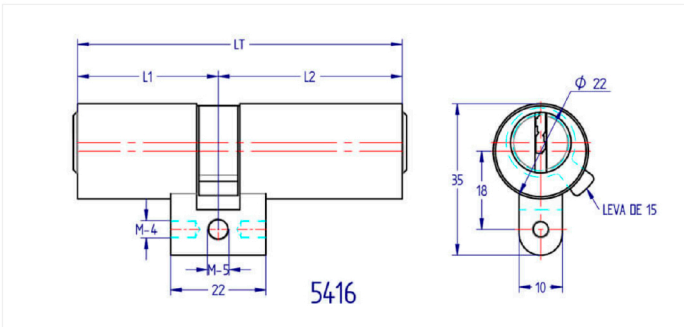
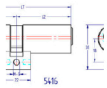
SYSTEMS AND SOLUTIONS

NEWS

CONTACT



Home > General Industry > Cylinders and locks > Cylinders > Swiss profile Cylinders > [5416 Cylinder Swiss Profile](#)



5416 Cylinder Swiss Profile

CYLINDERS AND LOCKS

Swiss profile security cylinder with anti-intrusion, anti-bumping, anti-pick system, with cross-locking system (patented). Key on both sides.

FINISH	LT (mm)	L1xL2 (mm)	CODE
CHROME PLATED	65	32,5×32,5	S5416C155320320
POLISHED	65	32,5×32,5	S5416P155320320
CHROME PLATED	75	32,5×42,5	S5416C155320420
POLISHED	75	32,5×42,5	S5416P155320420
CHROME PLATED	85	42,5×42,5	S5416C155420420
POLISHED	85	42,5×42,5	S5416P155420420
CHROME PLATED	85	32,5×52,5	S5416C155320520
POLISHED	85	32,5×52,5	S5416P155320520
CHROME PLATED	95	42,5×52,5	S5416C155420520
POLISHED	95	42,5×52,5	S5416P155420520

Categories: [Cylinders](#), [Cylinders and locks](#), [General Industry](#), [Swiss profile Cylinders](#)