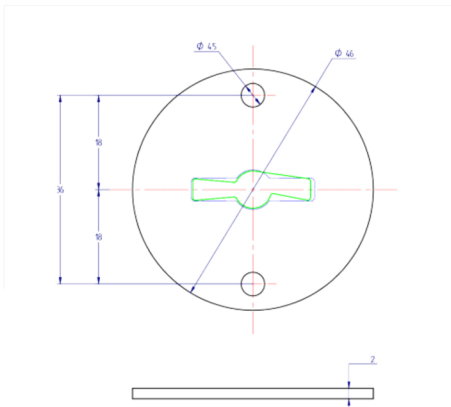
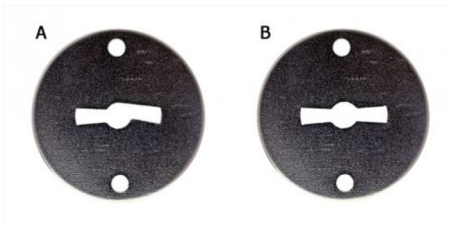


Home > High Security Industry > Accessories > Shields > [Accesories - Escutcheon 2942](#)



Accesories - Escutcheon 2942

Chromed steel keyhole escutcheon for double bit keys.

A: Asymmetrical

S: Symmetrical

| | |
|---------------|----|
| WEIGHT (grs.) | 24 |
|---------------|----|

Categories: [Accessories](#), [High Security Industry](#), [Shields](#)