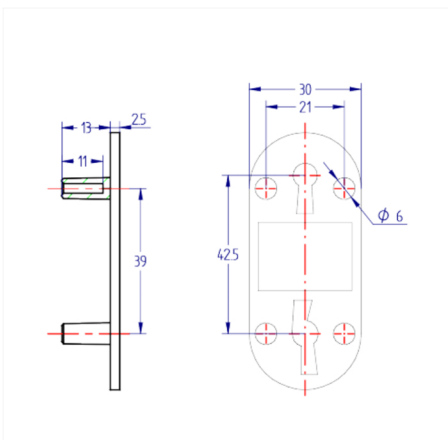


Home > High Security Industry > Accessories > Shields > Accessories - Escutcheon 2945



## Accessories - Escutcheon 2945

Zamak chromium-plated double key inlet shield for lock reference 245.

Categories: [Accessories](#), [High Security Industry](#), [Shields](#)