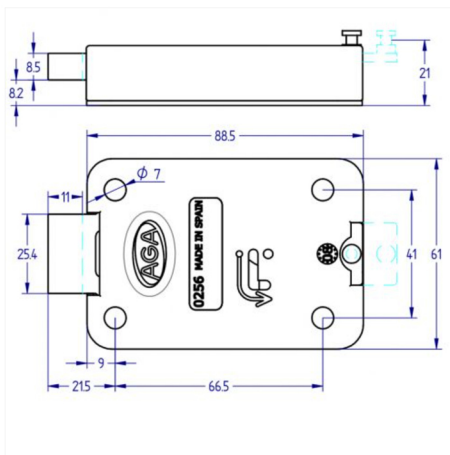


Home > High Security Industry > Accessories > Whistleblowers > Accessories - Vault Bolt 256



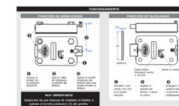
Accessories – Vault Bolt 256

Vault bolt with 11 mm. through used as an additional blocking element in the construction of the security doors. It is kept in a stable position using a cable.

The operates by means of stretching wires or cables with safe guard preferred manipulation points. In case of destruction of the wires the blocking bolt moves into a self blocking position.

MATERIAL ZAMAK	YES
FINISH	ZINC PLATED
WEIGHT (grs.)	298

INSTRUCTIONS



Categories: [Accessories](#), [High Security Industry](#), [Whistleblowers](#)