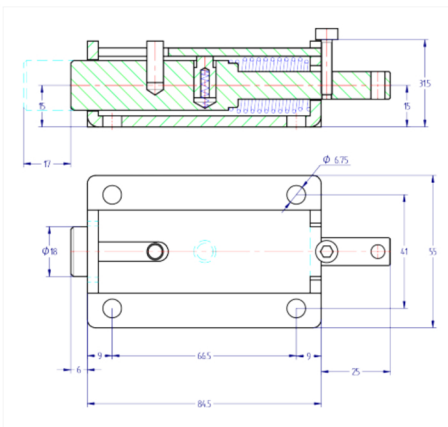


Home > High Security Industry > Accessories > Whistleblowers > Accessories - Vault bolt 257



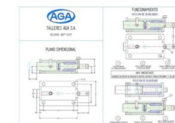
Accesorios - Vault bolt 257

Vault bolt with 17 mm. throw used as an additional blocking element in the construction of the security doors. It is kept in a stable position using a cable.

It operates by means of stretching wires or cables with safe guard preferred manipulation points. In case of destruction of the wires the blocking bolt moves into a self blocking position.

MATERIAL	Steel
FINISH	Zinc Plated
WEIGHT (grs.)	372

INSTRUCTIONS



Categories: [Accessories](#), [High Security Industry](#), [Whistleblowers](#)