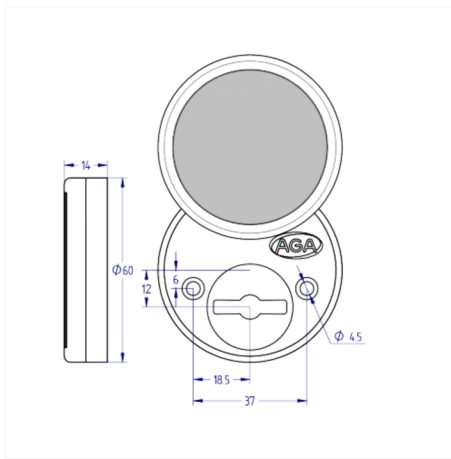


Home > High Security Industry > Accesorios > Shields > Accesorios - Escutcheon 2947



## Accesorios - Escutcheon 2947

Modular, zamak, key escutcheon for symmetrical key profile. Chromium plated and matt enamel.

AGA supplies as a standard the escutcheon with 3 screws for assembling.

### OPTIONAL:

- For asymmetric key profile.

FINISH	WEIGHT	CODE
Chrome	156	H2947G0CZRM
Chrome matt	156	H2947G0MZRM

Categories: [Accesorios](#), [High Security Industry](#), [Shields](#)