

SYSTEMS AND SOLUTIONS FOR HIGH SECURITY INDUSTRY

HIGH SECURITY LOCKS



Sector Catalogue
english edition 51



LOCKSMITH INDUSTRY



LOCKSMITH INDUSTRY

Sector Catalogue

HIGH SECURITY LOCKS

Elements designed and developed to lock industrial equipment and devices under the standards of quality ISO 9001:2015

Spanish leader in industrial lock manufacturing

TALLERES AGA, S.A. • C/ Notario Etxagibel, 6 • 20500 Mondragón, Gipuzkoa. Spain
Telf. 943 79 09 22 • Fax. 943 79 09 76
www.aga.es

QUALITY

ALL OUR EFFORT IS FOCUSED ON THE INTEGRAL SATISFACTION OF THE CLIENT. THEREFORE, WE HAVE A QUALITY MANAGEMENT SYSTEM IN ACCORDANCE WITH **ISO 9001** THAT GUARANTEES OUR MANUFACTURE AND SALE PROCESS.

THIS QUALITY STANDARD AND PROCEDURES HAVE LED TO OUR EN-1300 CLASS A/1 AND CLASS B/2 CERTIFIED RANGE OF LOCKS.



OTHER CATALOGUES OF THE COMPANY

AGA has focused its business on a multi sector market. Thus, we manufacture **a wide variety of products** contained in four different sector catalogues.

- Catalogues:



TOTAL FLEXIBILITY

Although we offer a wide range of standard products in our catalogues, we specialise in customized solutions for our industrial clients. Moreover...

- We do not have a minimum order policy, allowing you to optimize your purchase.
- We guarantee the replacement of any article, as well as its components, for 10 years after the product has been removed from the catalogue.
- We customise solutions.

■ HIGH SECURITY LOCKS



8 High security lock, class "A":

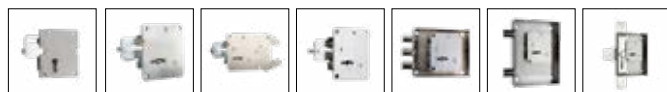
231, 236, 246, 248.



12 High security lock, class "B":

237, 247.

■ SECURITY LOCKS



16 Dragging system locks:

241, 242, 239, 253, 250, 243, 240.



20 Electromechanical draggings system locks:

242E, 229.



21 Blocking system locks:

244.

■ DEPOSIT LOCKS



24 Bit key locks:

245.



24 Security key locks:

546, 547.

■ BOLT WORKS



28 No lock operating:

2300.



29 1 lock operating:

2301.



30 2 locks operating:

2302-1, 2302-2.

■ ACCESSORIES



34 Vault bolt:

256, 257.



35 Handles:

2601, 2602.



36 Miscellaneous:

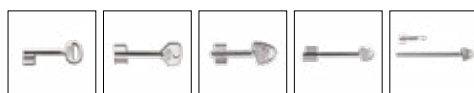
2900, 2901.



37 Escutcheons:

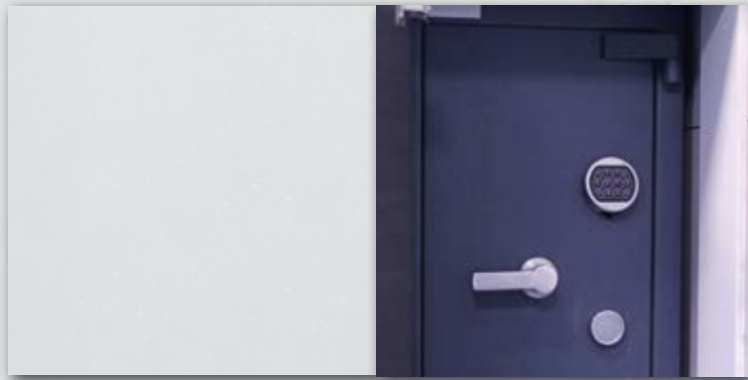
2941, 2942, 2945, 2946H, 2946V, 2947.

■ KEYS



40 Bit keys:

5G, 9G/11G, 58G, 15G...64G, 68G/56G.



HIGH SECURITY LOCKS

High security lock, class "A"
High security lock, class "B"



231

HIGH SECURITY LOCKS class A

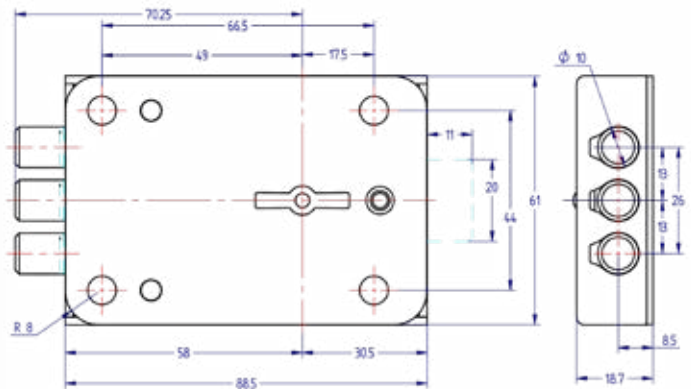
Lock with 11 mm slide of 3 steel locking bolts.

- AGA supplies as a standard the lock with 2 keys AGA-15G.
- Different length of key pins available.
- Lock with key guide (2900) available fixed in the cover plate.

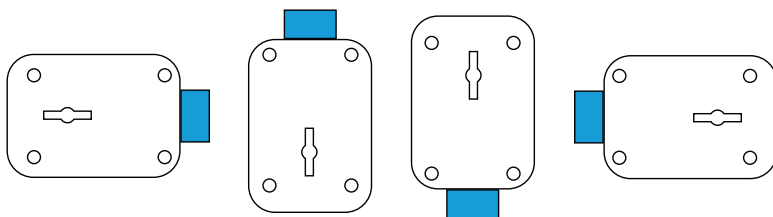
More options:

- Non key retained when in open position.
- Key alike.
- Masterkey.

TYPE OF LOCK	DOUBLE BIT
LOCK SYSTEM	BLOCKING
N° OF COMBINATIONS	190.000
POSSIBILITY OF MASTERKEY	YES
N° OF TRAINED COMBINATIONS	Check availability
FINISH	ZINC
WEIGHT (grs.)	380



Installation positions:



236

HIGH SECURITY LOCKS class A

Certified lock according to standard EN 1300, class A with 11mm of movement of the lever. It is a changeable code key lock which allows the lock to be adapted to a new key code by means of a simple manoeuver.

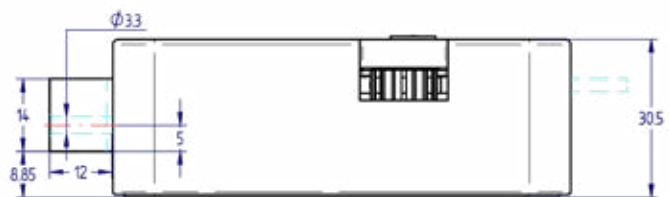
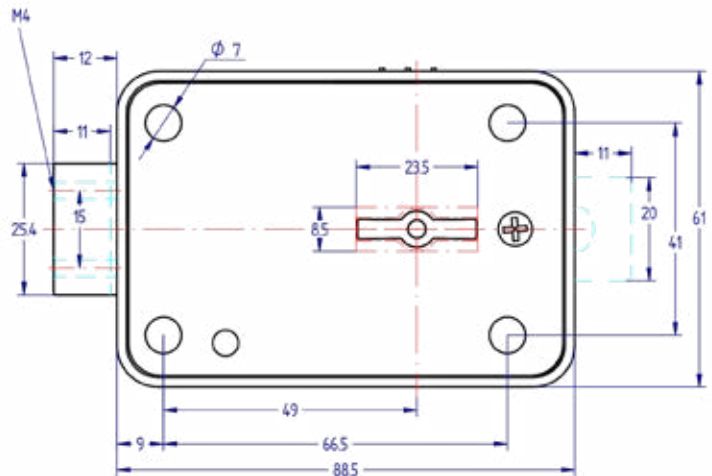
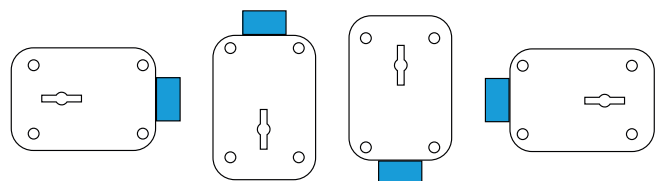
- AGA supplies as standard the lock without key.
- Zinc plated and tempered steel covered.
- Prepared for cable mounting which is joined to the vault bolt (256, 257).
- Different key lengths supplied on request.
- Lock with key guide (2900) available fixed in the cover plate.
- Assembly with chip operated by the lever, without disassembling the lock.

**Operation:**

- Open the lock.
- Close the lock until mild-throw.
- Slide the unit of code change.
- Open the lock.
- Remove the key.
- Insert the new code key.
- Close the lock.
- The lock has been programmed with the new code.



TYPE OF LOCK	DOUBLE BIT
LOCK SYSTEM	BLOCKING
N° OF COMBINATIONS	190.000
POSSIBILITY OF MASTERKEY	NO
FINISH	ZINC PLATED
WEIGHT (grs.)	630
CERTIFICATES	VdS (Germany)

**Installation positions:**

246

HIGH SECURITY LOCKS class A

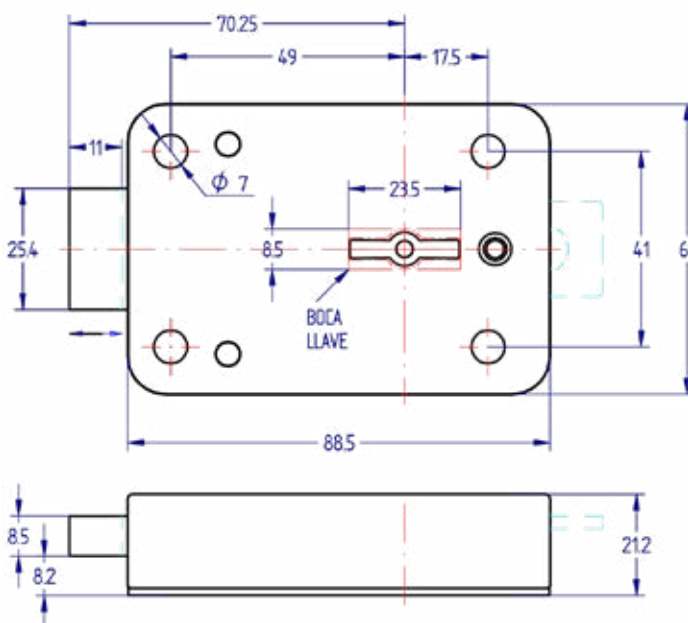
Lock under certification EN 1300 Class A with 11mm bolt throw.

- AGA supplies as a standard the lock with 2 keys AGA-15G.
- Prepared for the cable assembly which connects with the vault bolt (256, 257).
- Different length of key pins available.
- Lock with key guide (2900) available fixed in the cover plate.

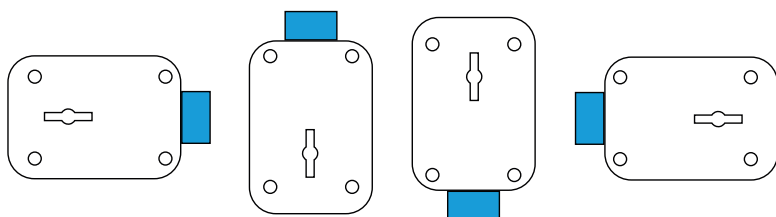
TYPE OF LOCK	DOUBLE BIT
LOCK SYSTEM	BLOCKING
N° OF COMBINATIONS	190.000
POSSIBILITY OF MASTERKEY	YES
N° OF TRAINED COMBINATIONS	Check availability
WEIGHT (grs.)	360
CERTIFICATES	VdS (Germany) A2P (France)

Options which exclude certification:

- Non key retained when in open position.
- Key alike.
- Masterkey.



Installation positions:



248

HIGH SECURITY LOCKS class A

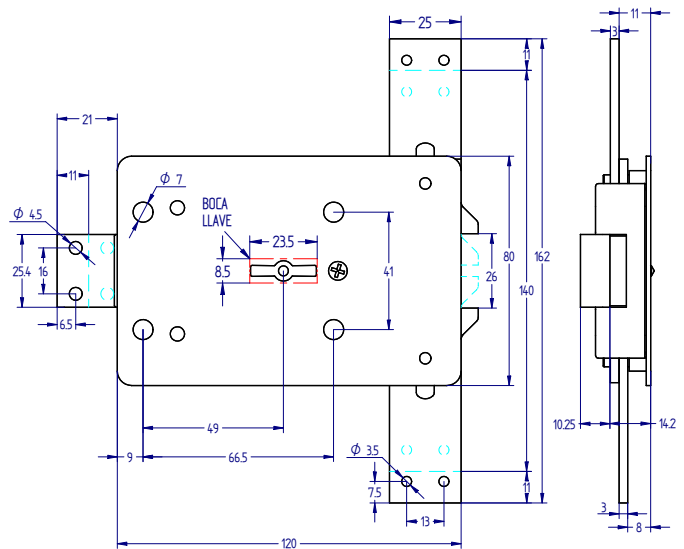
Lock under certification EN 1300 Class A with 11mm bolt throw and 3 locking points.

- AGA supplies as a standard the lock with 2 keys AGA-15G.
- Prepared for the cable assembly which connects with the vault bolt (256, 257).
- Different length of key pins available.
- Lock with key guide (2900) available fixed in the cover plate.

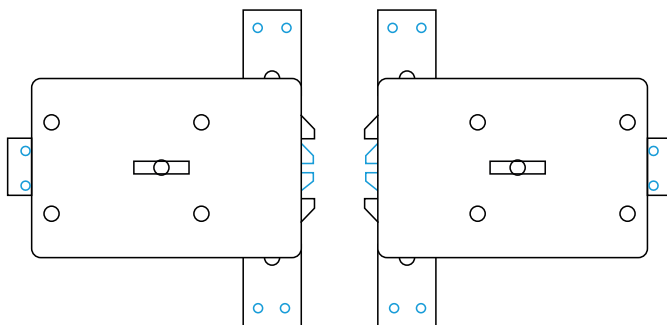
Options which exclude certification:

- Non key retained when in open position.
- Key alike.
- Masterkey.

TYPE OF LOCK	DOUBLE BIT
LOCK SYSTEM	DRAGGING
N° OF COMBINATIONS	190.000
POSSIBILITY OF MASTERKEY	YES
N° OF TRAINED COMBINATIONS	Check availability
FINISH	NICKEL PLATED
WEIGHT (grs.)	550
CERTIFICATES	VdS (Germany)



Installation positions:



237

HIGH SECURITY LOCKS class B

Certified lock according to EN 1300 Class B with 11mm. lever movement. It is a changeable code key lock which allows the lock to be adapted to a new key code by means of a simple manoeuver.

- AGA supplies as standard the lock without key.
- Zinc plated and tempered steel covered.
- Prepared for the cable assembly which connects with the vault bolt (256, 257).
- Different lengths of key pins available.
- Lock with key guide (2900) available fixed in the cover plate.
- Assembly with chip operated by the lever, without disassembling the lock.

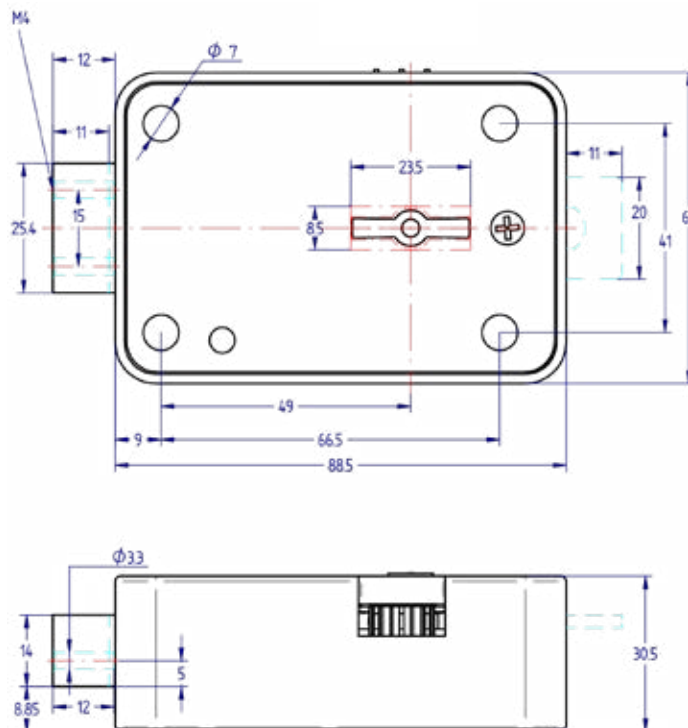


Operation:

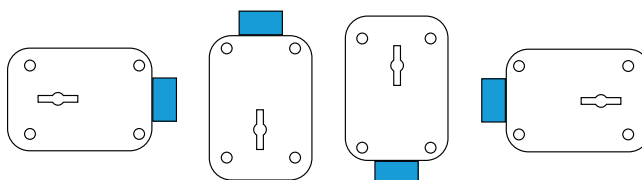
- Open the lock.
- Close the lock until mild-throw.
- Slide the unit of code change.
- Open the lock.
- Remove the key.
- Insert the new code key.
- Close the lock.
- The lock has been programmed with the new code.



TYPE OF LOCK	DOUBLE BIT
LOCK SYSTEM	BLOCKING
N° OF COMBINATIONS	290.000
POSSIBILITY OF MASTERKEY	NO
FINISH	ZINC PLATED
WEIGHT (grs.)	630
CERTIFICATES	VdS (Germany)



Installation positions:



247**HIGH SECURITY LOCKS** class B

Lock under certification EN 1300 Class B with 11mm bolt throw.

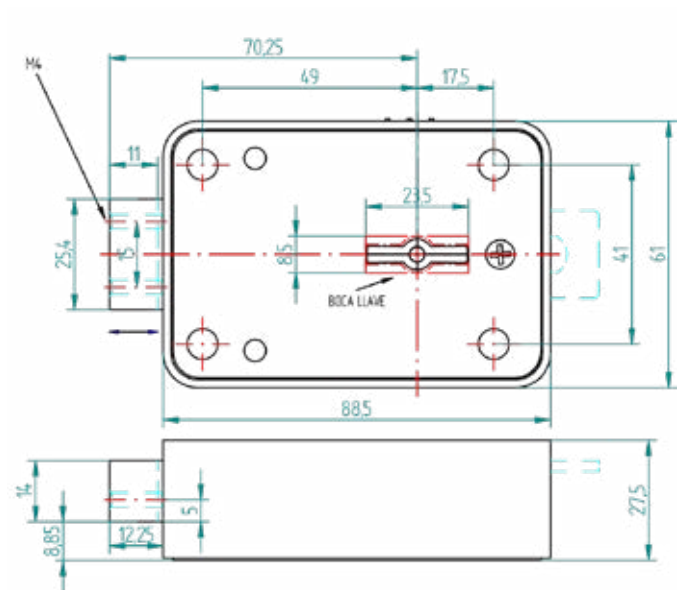
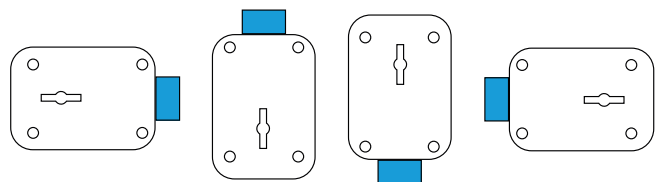
- AGA supplies as a standard the lock with 2 keys AGA-40G.
- Zinc plated and tempered steel cover.
- Prepared for the cable assembly which connects with the vault bolt (256, 257).
- Different length of key pins available.
- Lock with key guide (2900) available fixed in the cover plate.

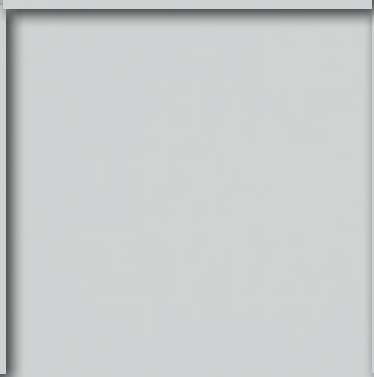
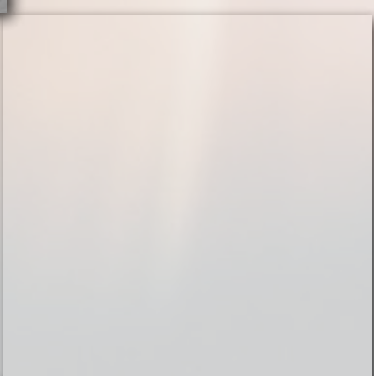
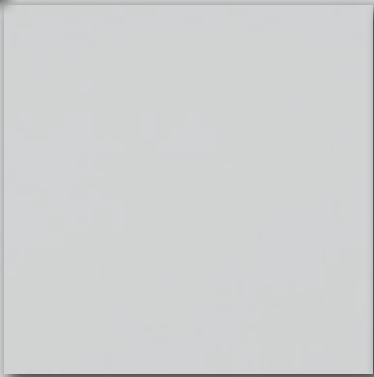
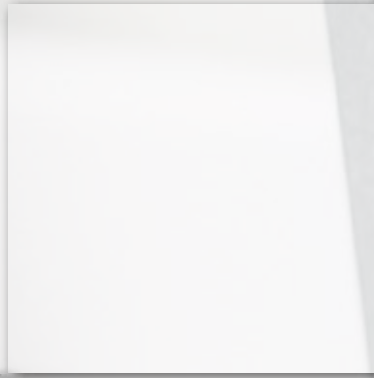
Options which exclude certification:

- Assembly with chip operated by the lever, without disassembling the lock.
- Non key retained when in open position.
- Key alike.
- Masterkey.



TYPE OF LOCK	DOUBLE BIT
LOCK SYSTEM	BLOCKING
N° OF COMBINATIONS	290.000
POSSIBILITY OF MASTERKEY	NO
FINISH	ZINC
WEIGHT (grs.)	616
CERTIFICATES	VdS (Germany)

**Installation positions:**



SECURITY LOCKS

Dragging system locks
Electromechanical dragging system locks
Blocking system locks



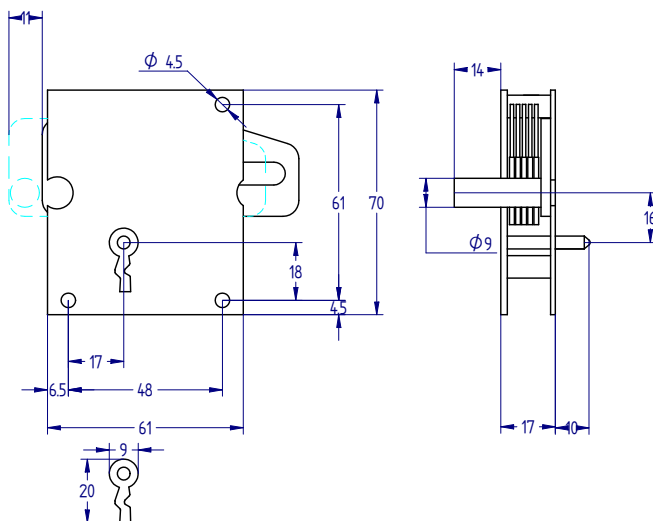
241

SECURITY LOCKS dragging system locks

Simple dragging lock with 11mm bolt throw.

- AGA supplies as a standard the lock with 2 keys AGA-5G.
- Different length of key pins available.
- Key alike option available.

TYPE OF LOCK	SINGLE BIT
LOCK SYSTEM	DRAGGING
N° OF COMBINATIONS	500
POSSIBILITY OF MASTERKEY	NO
FINISH	ZINC PLATED
WEIGHT (grs.)	292



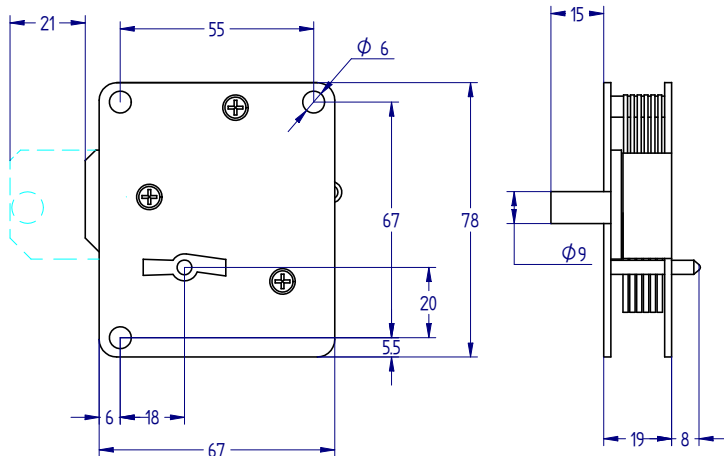
242

SECURITY LOCKS dragging system locks

Dragging lock, approved, with 21mm bolt throw. Key retained when in open position.

- AGA supplies as a standard the lock with asymmetrical profile and 2 keys AGA-11G.
- Different length of key pins available.
- Key alike option available.
- Double intervention lock option available, opening the lock in 2 steps using 2 different one bit keys.

TYPE OF LOCK	DOUBLE BIT
LOCK SYSTEM	DRAGGING
N° OF COMBINATIONS	500.000
POSSIBILITY OF MASTERKEY	NO
FINISH	GALVANIZED
WEIGHT (grs.)	360



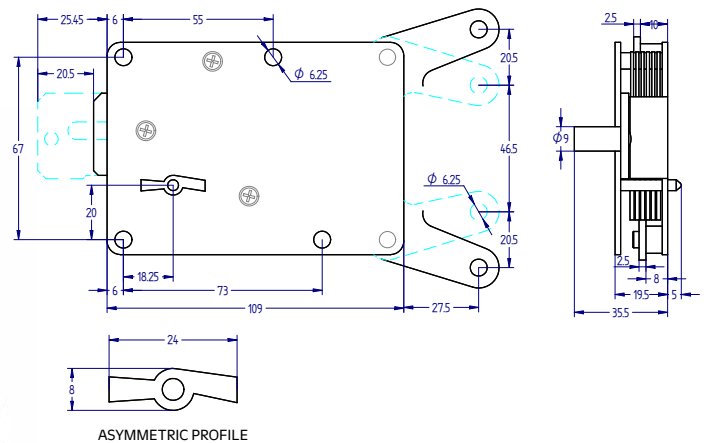
239

SECURITY LOCKS dragging system locks

Dragging lock with 21mm bolt throw, and 3 blocking points. Key retained when in open position.

- AGA supplies as a standard the lock with asymmetrical profile and 2 keys AGA-11G.
- Different length of key pins available.
- Key alike option available.
- Double intervention lock option available, opening the lock in 2 steps using 2 different one bit keys.

TYPE OF LOCK	DOUBLE BIT
LOCK SYSTEM	DRAGGING
N° OF COMBINATIONS	500.000
POSSIBILITY OF MASTERKEY	NO
FINISH	GALVANIZED
WEIGHT (grs.)	464



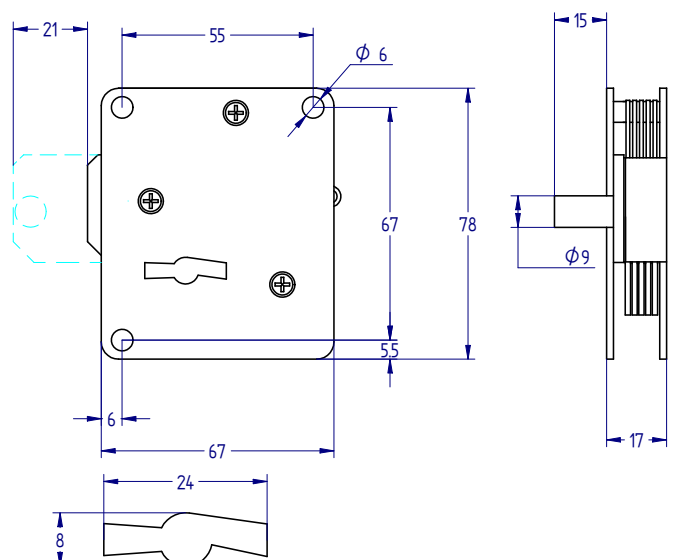
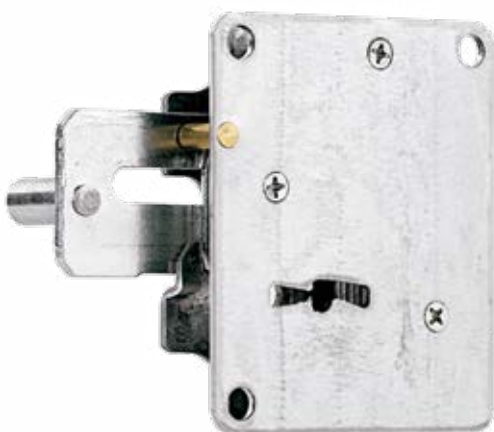
253

SECURITY LOCKS dragging system locks

Dragging lock with 21mm bolt throw. Key retained when in open position.

- AGA supplies as a standard the lock with asymmetrical profile and 2 keys AGA-58G.
- Different length of key pins available.
- Key alike option available.
- Double intervention lock option available, opening the lock in 2 steps using 2 different one bit keys.

TYPE OF LOCK	DOUBLE BIT
LOCK SYSTEM	DRAGGING
N° OF COMBINATIONS	6.500
POSSIBILITY OF MASTERKEY	NO
FINISH	GALVANIZED
WEIGHT (grs.)	320



250

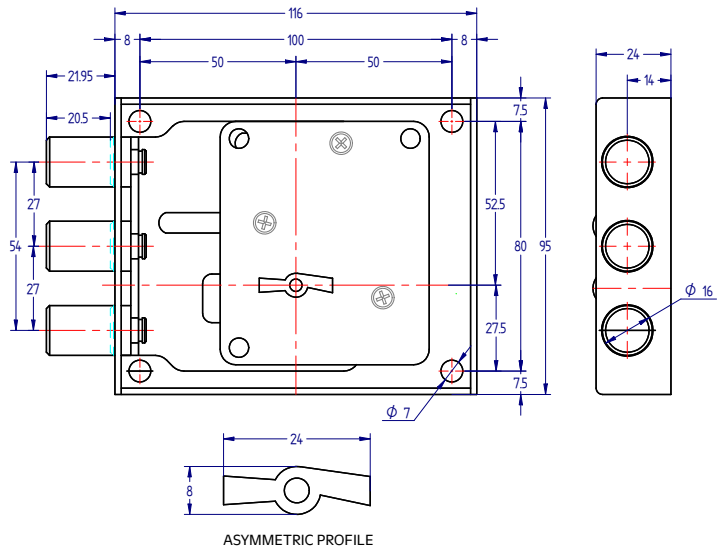
SECURITY LOCKS dragging system locks

Dragging lock with 21mm bolt throw, and 3 blocking bolts. Key retained when in open position.

- AGA supplies as a standard the lock with asymmetrical profile and 2 keys AGA-11G.
- Different length of key pins available.
- Key alike option available.
- Double intervention lock option available, opening the lock in 2 steps using 2 different one bit keys.



TYPE OF LOCK	DOUBLE BIT
LOCK SYSTEM	BLOCKING
N° OF COMBINATIONS	500.000
POSSIBILITY OF MASTERKEY	NO
FINISH	NICKEL PLATED
WEIGHT (grs.)	766



243

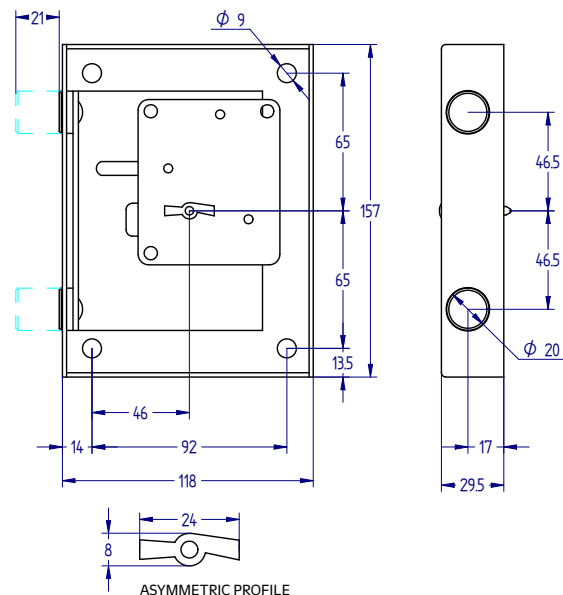
SECURITY LOCKS dragging system locks

Dragging lock with 21mm bolt throw, and 2 blocking bolts. Key retained when in open position.

- AGA supplies as a standard the lock with asymmetrical profile and 2 keys AGA-9G.
- Different length of key pins available.
- Key alike option available.
- Double intervention lock option available, opening the lock in 2 steps using 2 different one bit keys.



TYPE OF LOCK	DOUBLE BIT
LOCK SYSTEM	BLOCKING
N° OF COMBINATIONS	500.000
POSSIBILITY OF MASTERKEY	NO
FINISH	ZINC PLATED
WEIGHT (grs.)	1.070



240

SECURITY LOCKS dragging system locks

Dragging lock with 21mm bolt throw, and 3 blocking points. Key retained when in open position.

- AGA supplies as a standard the lock with asymmetrical profile and 2 keys AGA-9G.
- Different length of key pins available.
- Key alike option available.
- Double intervention lock option available, opening the lock in 2 steps using 2 different one bit keys.

TYPE OF LOCK

LOCK SYSTEM

N° OF COMBINATIONS

POSSIBILITY OF MASTERKEY

FINISH

WEIGHT (grs.)

DOUBLE BIT

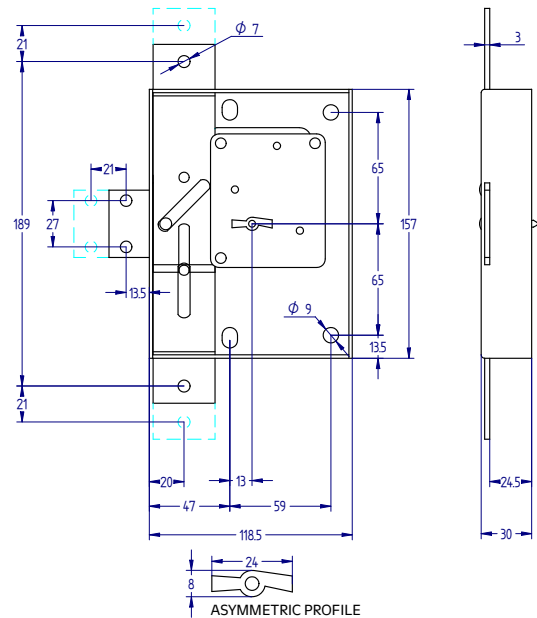
DRAGGING

500.000

NO

ZINC PLATED

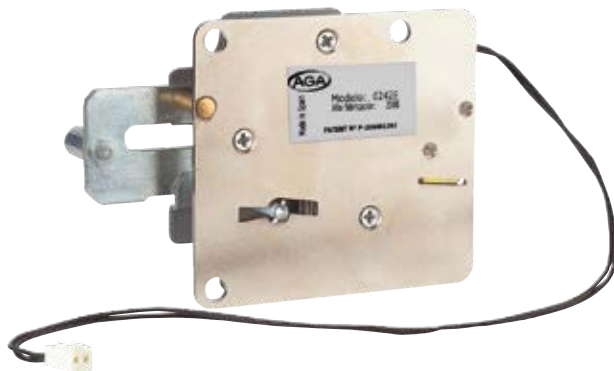
1.144



242E

SECURITY LOCKS electromechanical dragging system locks

Dragging lock with double intervention system, patented, 21mm bolt throw. Key retained when in open position. The number of combinations of the lock is 870, and each user key combination has its own emergency key combination.



Operating instructions:

Coil, included in the lock, unlocks it when a positive match is received, leaving the lock ready for opening by the user key. In case of power failure the lock can be unlocked mechanically using the emergency key, which performs the function of the coil.

- AGA supplies as a standard the lock with asymmetrical profile and 2 keys AGA-11G, coil with connection and emergency key.
- Different length of key pins available.
- Key alike option available.

TYPE OF LOCK

DOUBLE BIT

LOCK SYSTEM

DRAGGING

N° OF COMBINATIONS

870

POSSIBILITY OF MASTERKEY

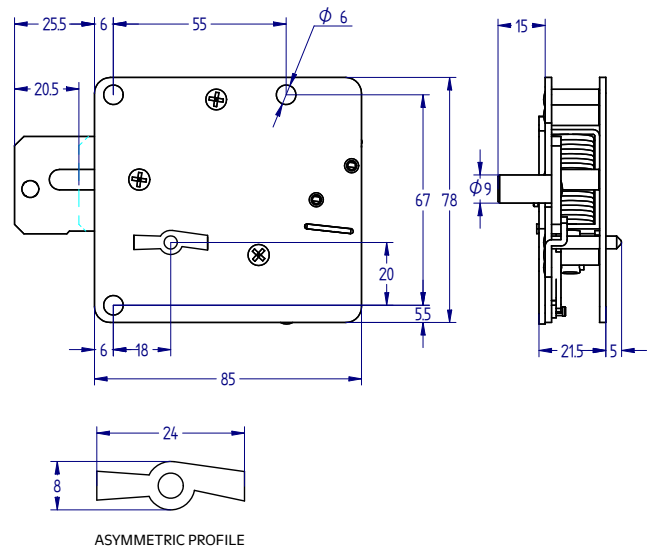
NO

FINISH

GALVANIZED

WEIGHT (grs.)

464



229

SECURITY LOCKS electromechanical dragging system locks

Dragging lock with double intervention system, patented, 21mm bolt throw, and 3 blocking points. Key retained when in open position. The number of combinations of the lock is 870, and each user key combination has its own emergency key combination.



Operating instructions:

Coil, included in the lock, unlocks it when a positive match is received, leaving the lock ready for opening by the user key. In case of power failure the lock can be unlocked mechanically using the emergency key, which performs the function of the coil.

- AGA supplies as a standard the lock with asymmetrical profile and 2 keys AGA-11G, coil with connection and emergency key.
- Different length of key pins available.
- Key alike option available.

TYPE OF LOCK

DOUBLE BIT

LOCK SYSTEM

DRAGGING

N° OF COMBINATIONS

870

POSSIBILITY OF MASTERKEY

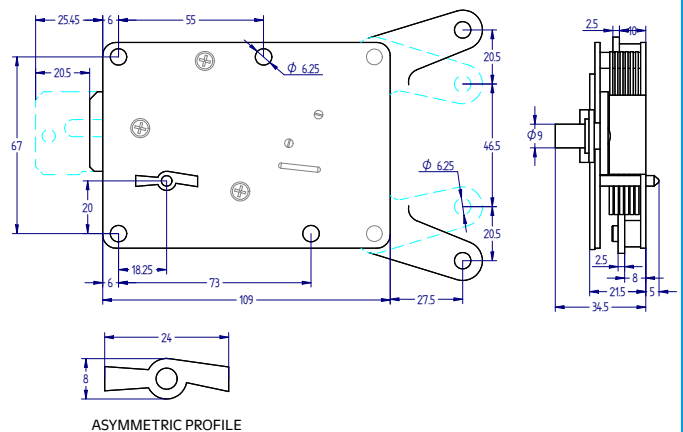
NO

FINISH

GALVANIZED

WEIGHT (grs.)

568



244**SECURITY LOCKS** blocking system locks

Blocking lock with 8mm bolt throw.

- AGA supplies as a standard the lock with asymmetrical profile and 2 keys AGA-11G.
- Key alike option available.

TYPE OF LOCK

DOUBLE BIT

LOCK SYSTEM

BLOCKING

N° OF COMBINATIONS

357

POSSIBILITY OF MASTERKEY

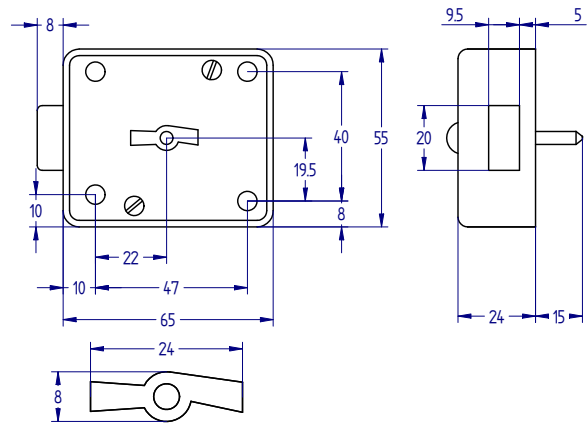
NO

FINISH

ZINC PLATED

WEIGHT (grs.)

326



ASYMMETRIC PROFILE

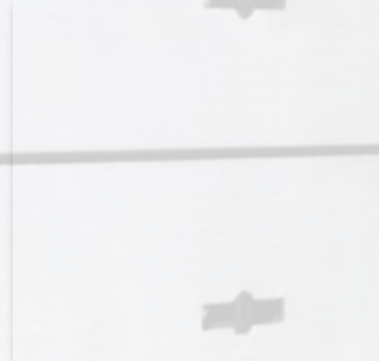
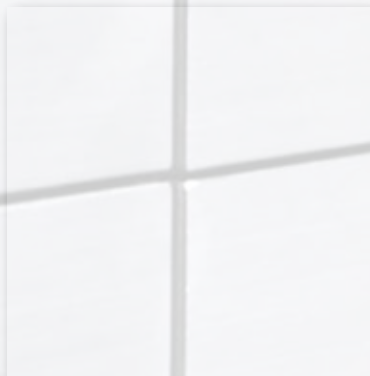
426



427



429



DEPOSIT LOCKS

Bit key locks
Security key locks



245

DEPOSIT LOCKS bit key locks

Doble intervention lock for safe deposit boxes with 8mm bolt throw.

- AGA supplies as a standard the lock with 2 keys AGA-11G.

Instructions:

- Turn guard key (key retained).
- Turn renter key. Lock opened.
- Turn guard key to locked position (non key retained).
- Turn renter key to locked position (Non key retained). Renter can not open the lock again unless the operation is repeated with guard key.



TYPE OF LOCK

DOUBLE BIT

TYPE OF KEY

AGA-11G

Nº OF COMBINATIONS (GUARD)

357

Nº OF COMBINATIONS (RENTER)

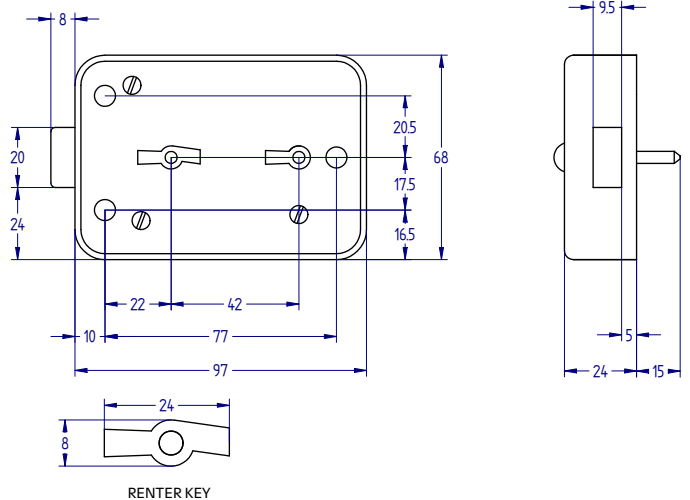
1

FINISH

ZINC PLATED

WEIGHT (grs.)

478



546

DEPOSIT LOCKS security key locks

Double intervention lock for safe deposit boxes with 10,5mm bolt throw. This lock allows the change of renter cylinder.

- AGA supplies as standard the lock with 2 keys (AGA-48) for the renter cylinder and without a control key.
- Optional with exclusive profile key (AGA-37).

Instructions:

- Turn guard key (key retained).
- Turn renter key. Lock opened.
- Turn guard key to locked position (non key retained).
- Turn renter key to locked position (Non key retained). Renter can not open the lock again unless the operation is repeated with guard key.



TYPE OF LOCK

SECURITY

TYPE OF KEY

AGA-48

Nº OF COMBINATIONS (GUARD)

200

Nº OF COMBINATIONS (RENTER)

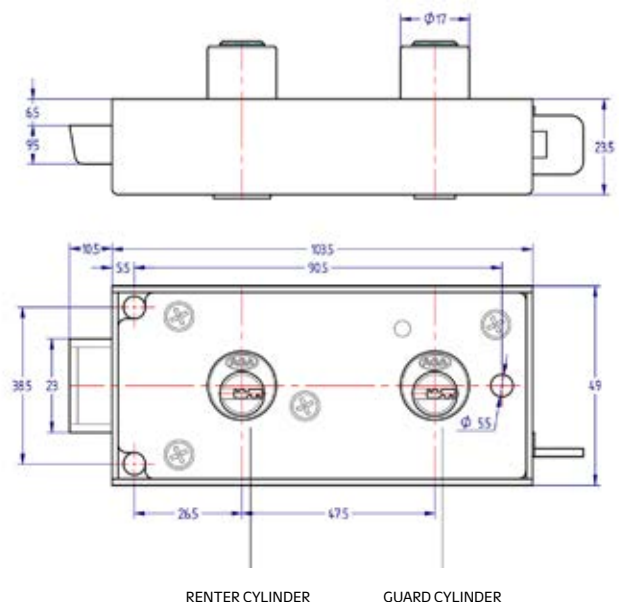
1000

FINISH

ZINC PLATED

WEIGHT (grs.)

450



547**DEPOSIT LOCKS** security key locks

Doble intervention lock for safe deposit boxes with 11mm bolt throw with no duplicate exclusive key.

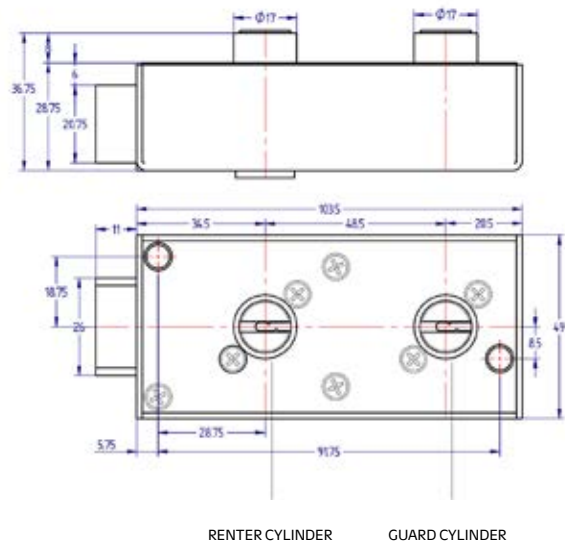
- No accessories supplied.
- Ready for the replacement of others locks.

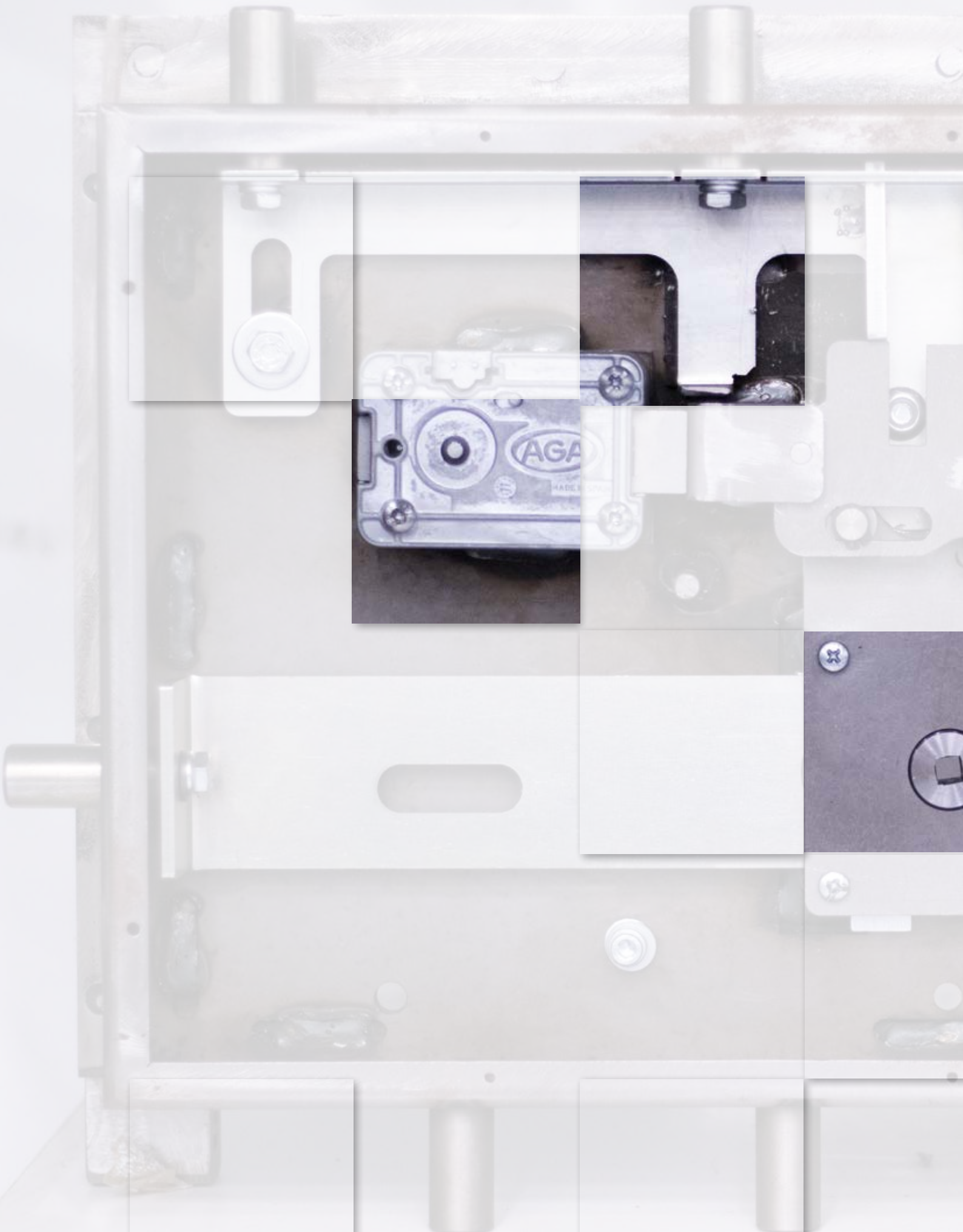
Instructions:

- Turn guard key (key retained).
- Turn renter key. Lock opened.
- Turn guard key to locked position (non key retained).
- Turn renter key to locked position (Non key retained). Renter can not open the lock again unless the operation is repeated with guard key.



TYPE OF LOCK	SECURITY
TYPE OF KEY	AGA-12
N° OF COMBINATIONS (GUARD)	400
N° OF COMBINATIONS (RENTER)	3050
FINISH	NICKEL PLATED
WEIGHT (grs.)	524





BOLT WORKS

No lock operating
1 lock operating
2 locks operating



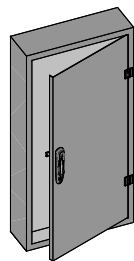
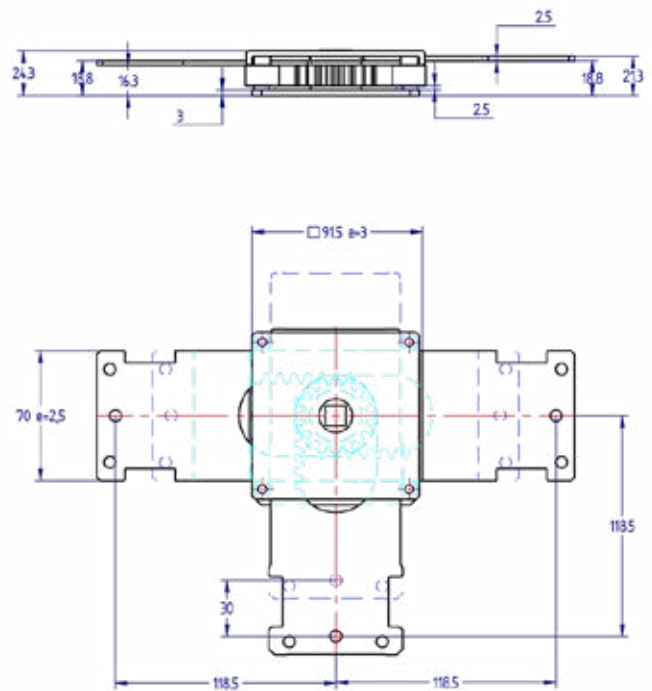
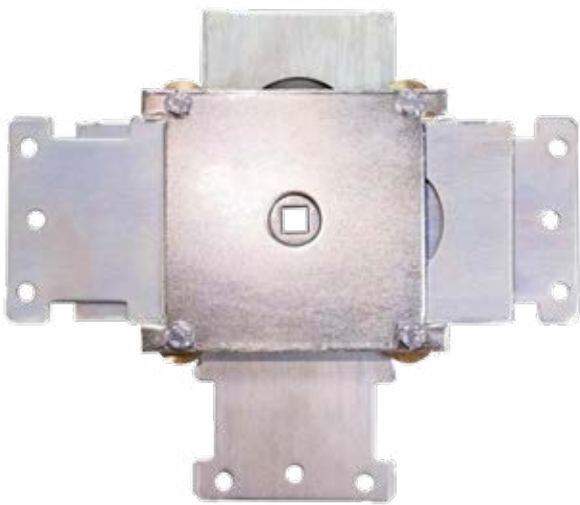
2300

BOLT WORKS no lock operating

3 sided bolt work. No lock operating.

MATERIAL	STEEL
SHAFT THROW / ANGLE	30mm/90°
GEAR MATERIAL	ZAMAK
DRIVE NUT	∅8
FINISH	NO FINISH
WEIGHT (grs.)	1125

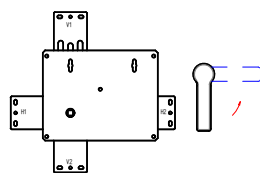
*The motherboard is not coated. The other parts of the bolt work are supplied zinc plated.



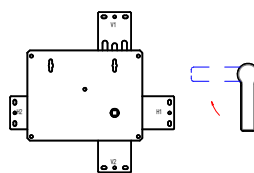
right



left



RIGHT DOOR



LEFT DOOR

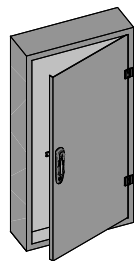
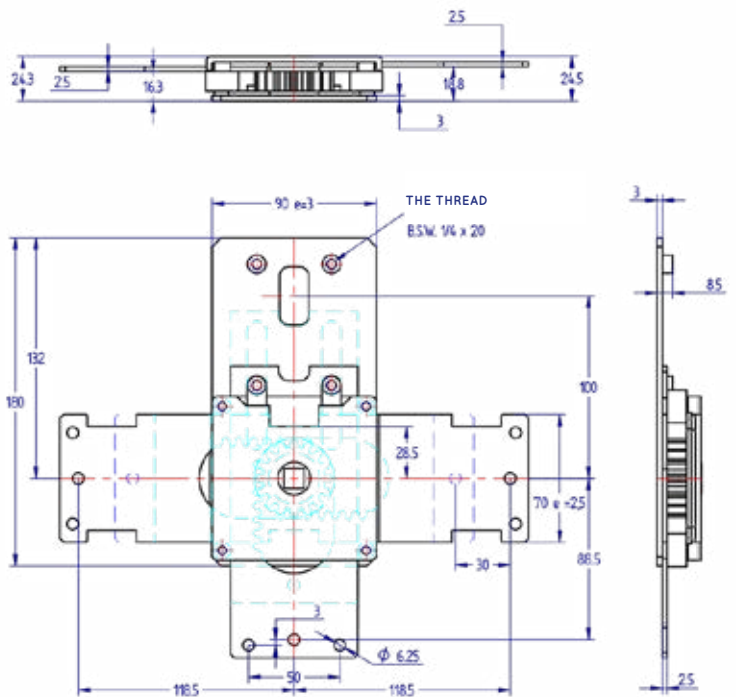
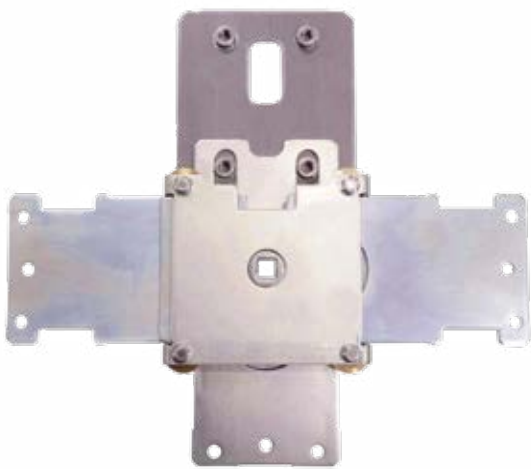
2301

BOLT WORKS 1 lock operating

3 sided bolt work prepared for assembly of a single bolt work with which a bolt throw of 11mm, block the bolt work shaft. Ready for assembling standard size locks.

MATERIAL	STEEL
SHAFT THROW / ANGLE	30mm/90°
GEAR MATERIAL	ZAMAK
DRIVE NUT	∅8
FINISH	NO FINISH
WEIGHT (grs.)	1.250

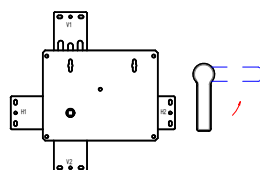
*The motherboard is not coated. The other parts of the bolt work are supplied zinc plated.



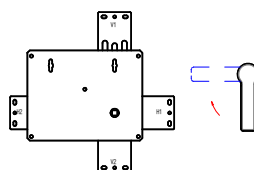
right



left



RIGHT DOOR



LEFT DOOR

2302-1

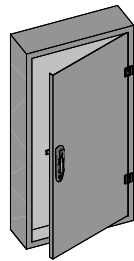
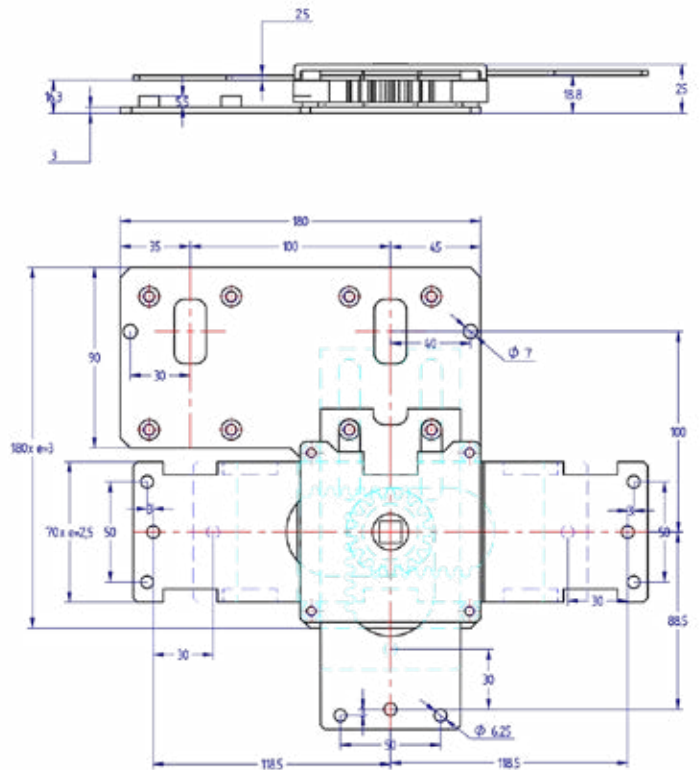
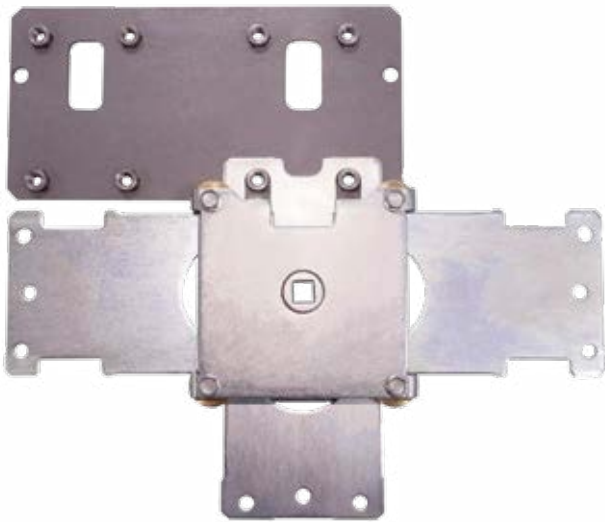
BOLT WORKS 2 locks operating

3 sided bolt work prepared for assembly of a pair bolt work with which a bolt throw of 11mm, blocks the bolt work shaft.

Ready for assembling standard size locks.

MATERIAL	STEEL
SHAFT THROW / ANGLE	30mm/90°
GEAR MATERIAL	ZAMAK
DRIVE NUT	Ø8
FINISH	NO FINISH
WEIGHT (grs.)	1.400

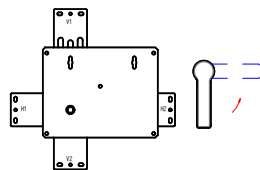
*The motherboard is not coated. The other parts of the bolt work are supplied zinc plated.



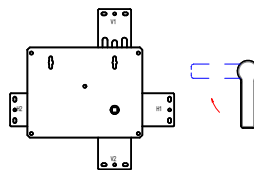
right



left



RIGHT DOOR



LEFT DOOR

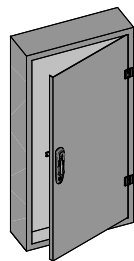
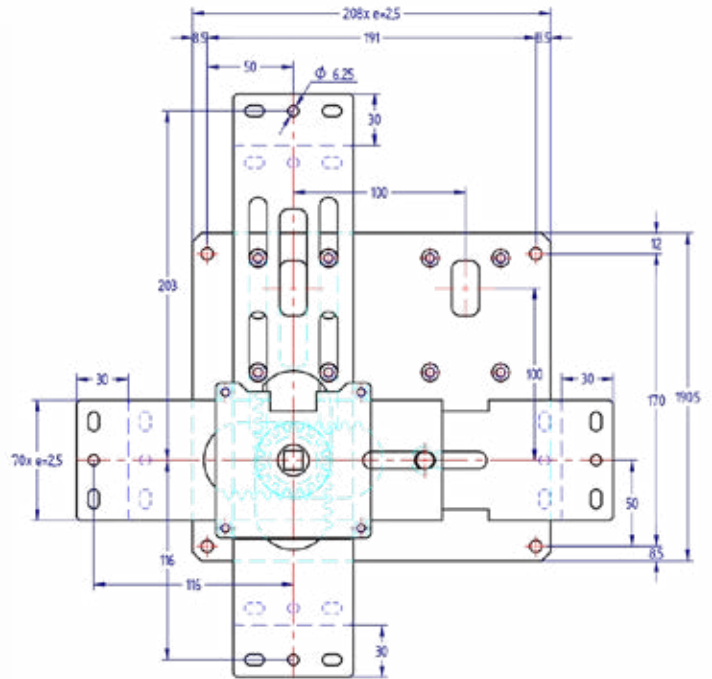
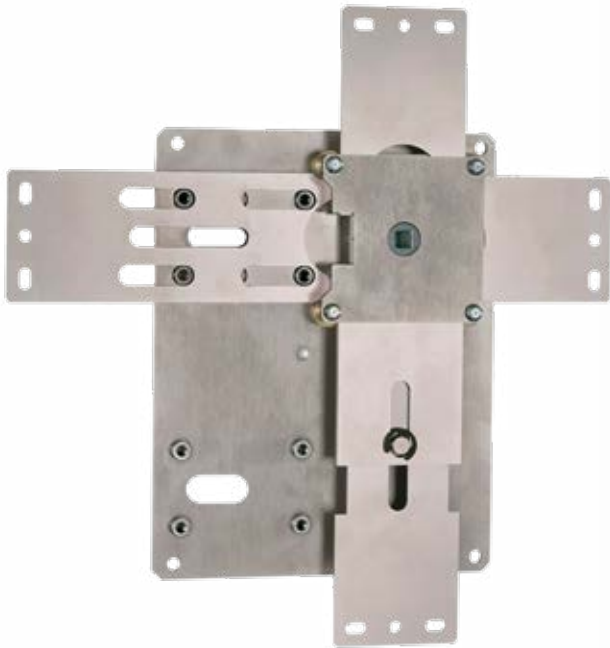
2302-2

BOLT WORKS 2 locks operating

4 sided bolt work prepared for assembly of a pair bolt work with which a bolt throw of 11mm, blocks the bolt work shaft.

Ready for assembling standard size locks.

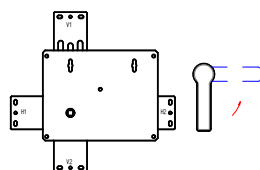
MATERIAL	STEEL
SHAFT THROW / ANGLE	33mm/90°
GEAR MATERIAL	ZAMAK
DRIVE NUT	∅8
FINISH	NICKEL / PLATED
WEIGHT (grs.)	2.500



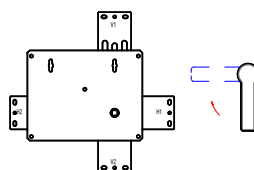
right



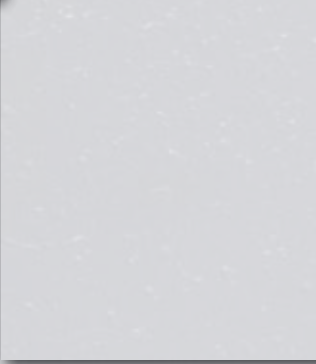
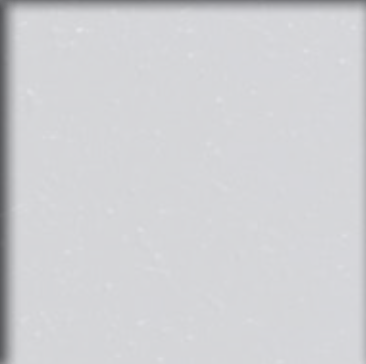
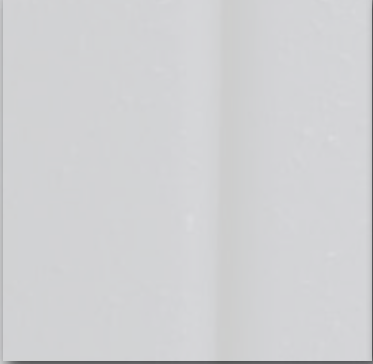
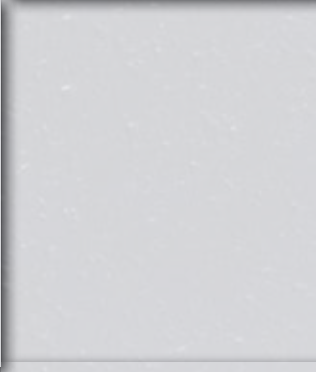
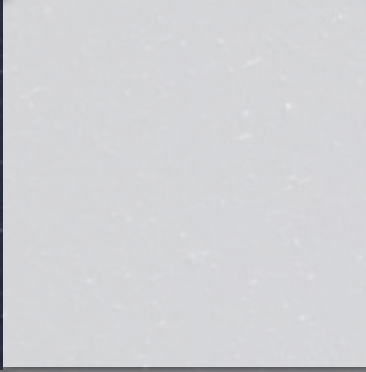
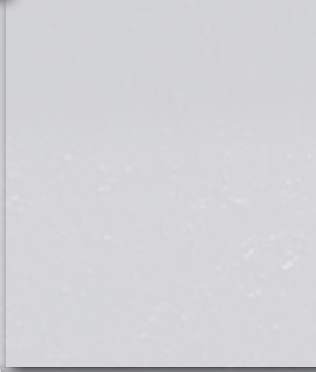
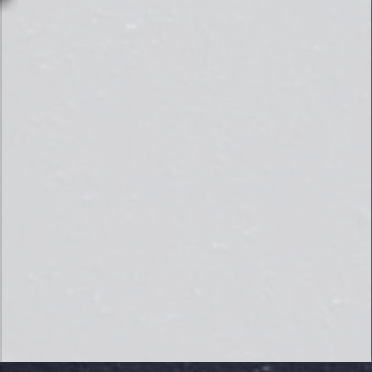
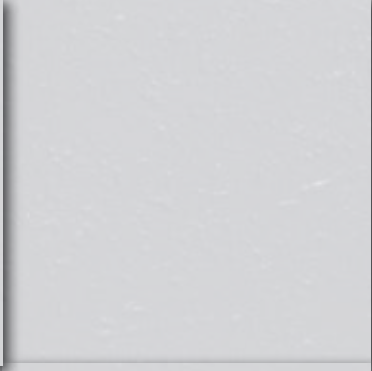
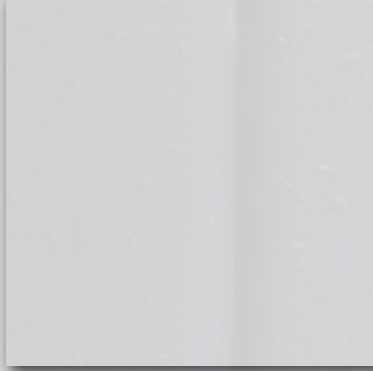
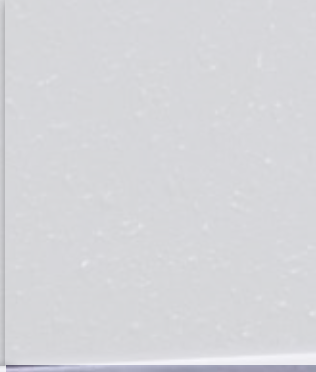
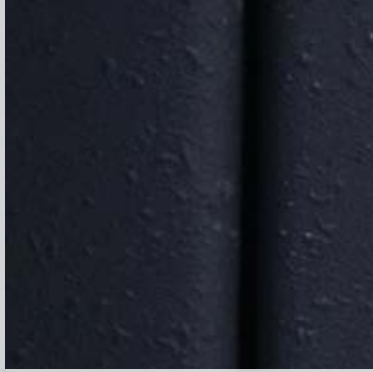
left



RIGHT DOOR



LEFT DOOR



ACCESSORIES

Vault bolt
Handles
Miscellaneous
Escutcheons



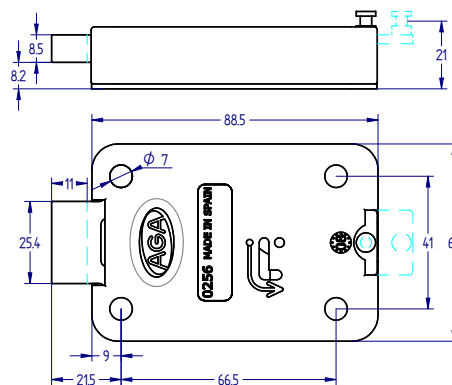
256

ACCESSORIES vault bolt

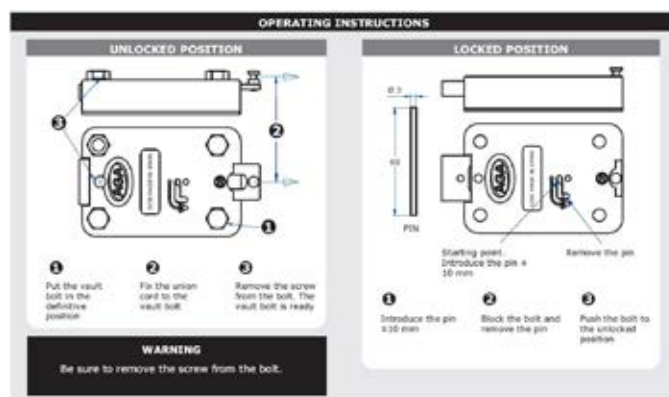
Vault bolt used as an additional blocking element in the construction of the security doors. It is kept in a stable position using a cable.

It operates by means of stretching wires or cables which safe guard preferred manipulation points. In case of destruction of the wires the blocking bolt moves into a self blocking position.

ZAMAK LOCK CASE	YES
FINISH	ZINC PLATED
WEIGHT (grs.)	298



FUNCTIONING:



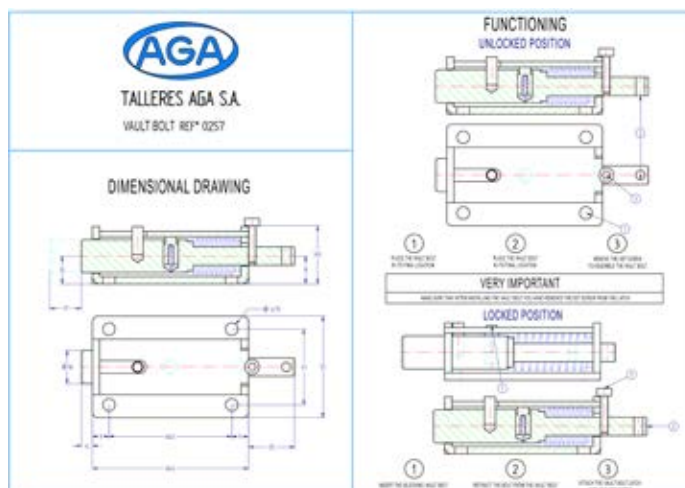
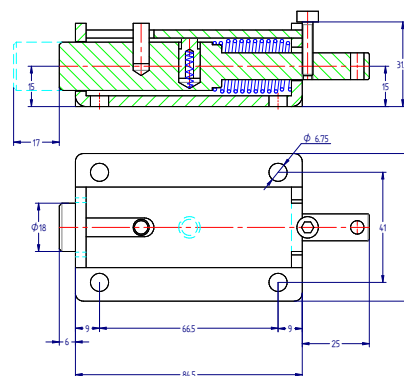
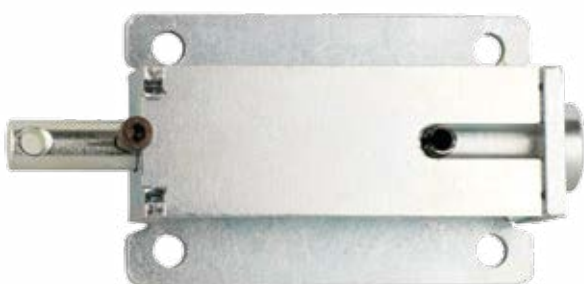
257

ACCESSORIES vault bolt

Vault bolt used as an additional blocking element in the construction of the security doors. It is kept in a stable position using a cable.

It operates by means of stretching wires or cables which safe guard preferred manipulation points. In case of destruction of the wires the blocking bolt moves into a self blocking position.

MATERIAL	STEEL
FINISH	ZINC PLATED
WEIGHT (grs.)	372



2601

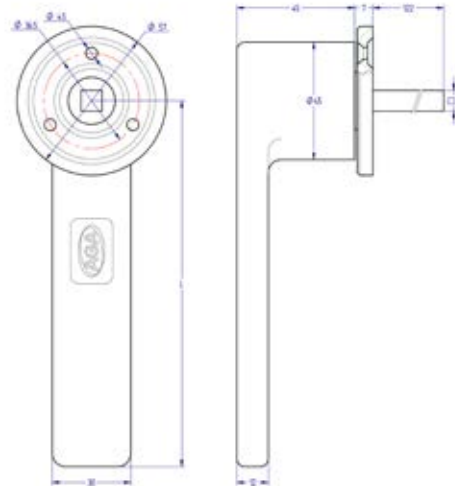
ACCESSORIES handles

Zamak handle and rosette with an inserted 8mm square shaft.

AGA supplies as a standard the handle with rosette and 3 screws for assembling.



FINISH	L	WEIGHT (grs.)	CODE
Chromium plated	120	658	HS26010C8120
Matt chromium plated	120	658	HS26010M8120
Chromium plated	140	716	HS26010C8140
Matt chromium plated	140	716	HS26010M8140



2602

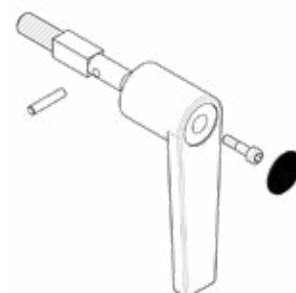
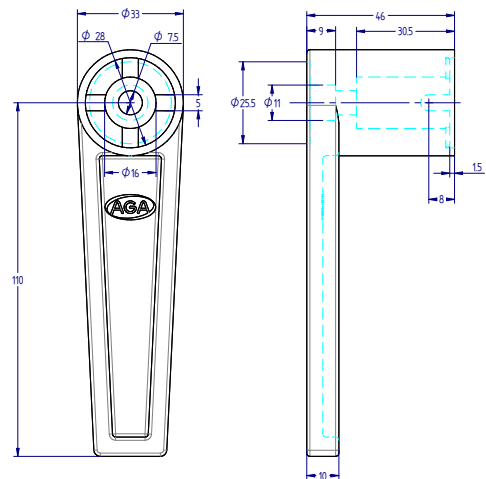
ACCESSORIES handles

Zamak handle, matt chrome, with independent square.

Simple modular assembly handle that offers great versatility in choosing the square.

WEIGHT (grs.)

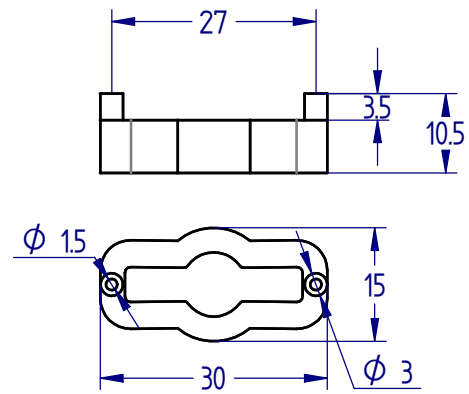
280



2900

ACCESSORIES miscellaneous

Zamak key holder to fix it onto the cover plate.
 Optional: It can be supplied riveted to the lock.

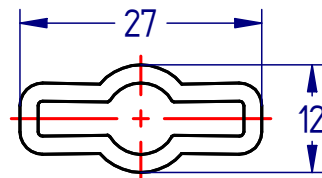


2901

ACCESSORIES miscellaneous

Aluminium key guide which is inserted between the escutcheon and key guide to facilitate the key insertion.

It is a metre in length.

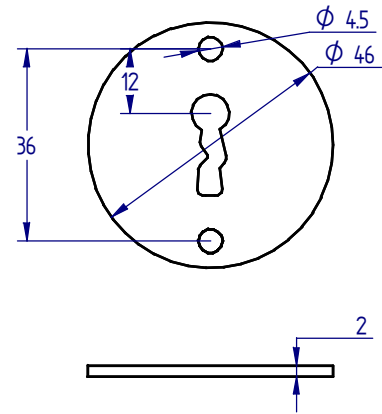


2941

ACCESSORIES escutcheons

Chromed steel keyhole escutcheon.
For 1-bit key.

WEIGHT (grs.) 24



2942

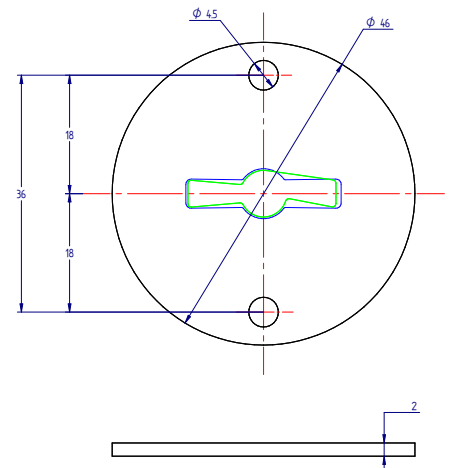
ACCESSORIES escutcheons

Chromed steel keyhole escutcheon
for double bit keys.

WEIGHT (grs.) 24

A: Asymmetrical

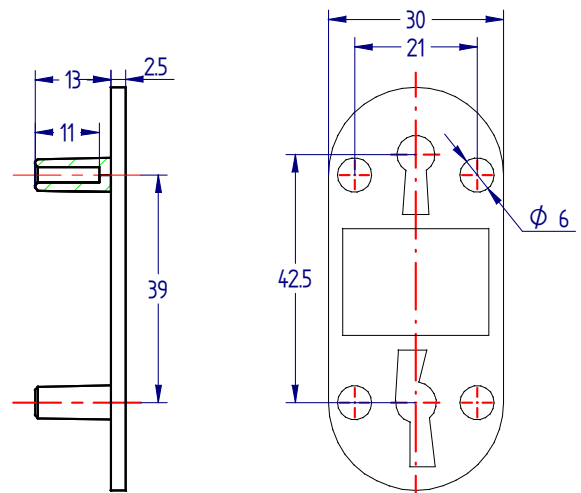
S: Symmetrical



2945

ACCESSORIES escutcheons

Zamak chromium-plated double key inlet shield
for lock reference 245.



2946H

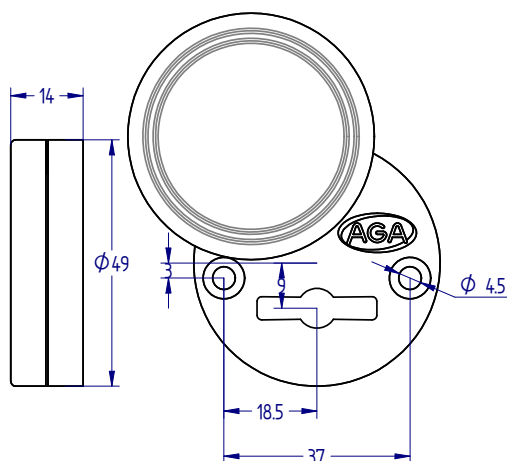
ACCESSORIES escutcheons

Aluminium anodized key escutcheon for symmetrical key profiles assembled horizontally. AGA supplies as a standard the escutcheon with screws for assembling.

WEIGHT (grs.) 52

OPTIONAL:

- For asymmetric key profile.



2946V

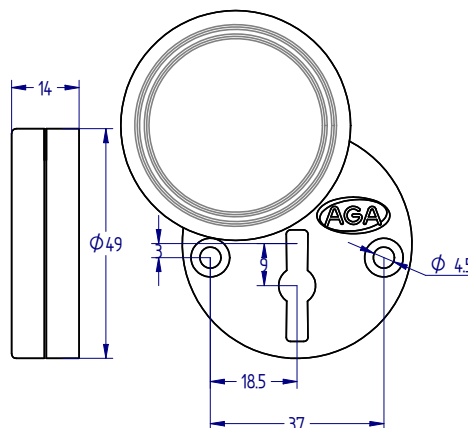
ACCESSORIES escutcheons

Aluminium anodized key escutcheon for symmetrical key profiles assembled vertically. AGA supplies as a standard the escutcheon with screws for assembling.

WEIGHT (grs.) 52

OPTIONAL:

- For asymmetric key profile.



2947

ACCESSORIES escutcheons

Modular, zamak, key escutcheon for symmetrical key profile. Chromium plated and matt enamel. AGA supplies as a standard the escutcheon with 3 screws for assembling.

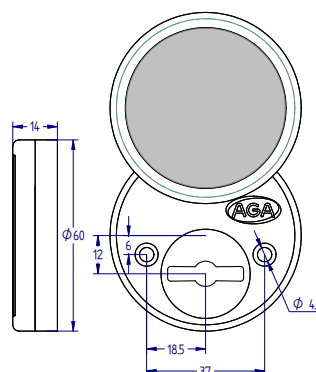
WEIGHT (grs.) 156

OPTIONAL:

- For asymmetric key profile.



FINISH	WEIGHT	CODE
Chromium plated	156	H2947G0CZRM
Matt chromium plated	156	H2947G0MZRM



KEYS

Bit keys



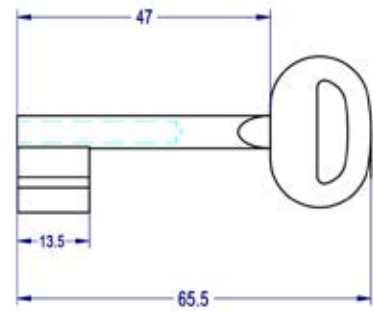
5G

KEYS bit keys

Nickel plated single bit brass key.

CODE YGAG05G2A110

WEIGHT (grs.) 19



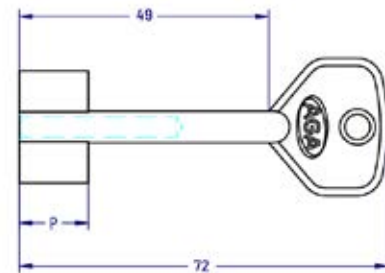
9G/11G

KEYS bit keys

Nickel plated double bit brass key.

WEIGHT (grs.) 22

REF	LT	L	P	CODE	WEIGHT(grs.)
9G	72	49	13,5	YGAG09G2A410	22
11G	72	49	15,7	YGAG11G2A410	22



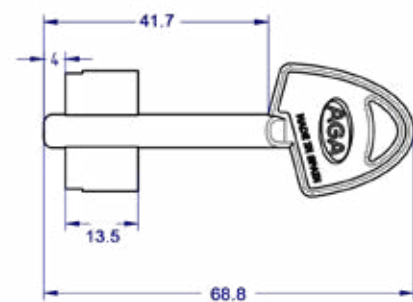
58G

KEYS bit keys

Nickel plated double bit brass key.

CODE YGAG58G2A110

WEIGHT (grs.) 26



15G...64G

KEYS bit keys

Nickel-plated double bit keys.



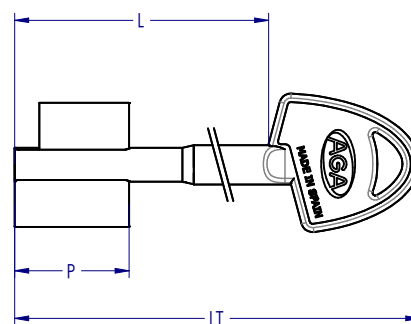
	L (mm)	LT (mm)	P (mm)	ZAMAK	BRASS	PROFILE	CODE
AGA-15G	43	70	15	X		S	YGAG15G4A410
AGA-12G	44	65	15	X		A	YGAG12G4A410
AGA-70G	43	70	15		X	S	YGAG70G4A410
AGA-46G	73	100	15	X		S	YGAG46G4A410
AGA-19G	73	100	15	X		A	YGAG19G4A410
AGA-48G	103	130	15	X		S	YGAG48G4A410
AGA-20G	103	130	15	X		A	YGAG20G4A410
AGA-23G	118	145	15	X		S	YGAG23G4A410
AGA-13G	118	145	15	X		A	YGAG13G4A410
AGA-35G	148	175	15	X		S	YGAG35G4A410
AGA-16G	148	175	15	X		A	YGAG16G4A410
AGA-18G	93	120	15		X	S	YGAG18A2A410
AGA-50G	73	100	20	X		S	YGAG50G4A410
AGA-49G	103	130	20	X		S	YGAG49G4A410
AGA-27G	118	145	20	X		S	YGAG27G4A410
AGA-40G	148	175	20	X		S	YGAG40G4A410
AGA-18G	93	120	20		X	S	YGAG18B2A410
AGA-57G	193	220	20		X	S	YGAG57G2A410
AGA-59G	343	370	20		X	S	YGAG59G2A410
AGA-65G	223	250	20		X	S	YGAG65G2A410
AGA-67G	243	270	20		X	S	YGAG67G2A410
AGA-60G	73	100	22	X		S	YGAG60G4A410
AGA-61G	103	130	22	X		S	YGAG61G4A410
AGA-62G	118	145	22	X		S	YGAG62G4A410
AGA-63G	148	175	22	X		S	YGAG63G4A410
AGA-66G	93	120	22		X	S	YGAG66G2A410
AGA-18G	93	120	24		X	S	YGAG18G4A410
AGA-51G	193	220	24		X	S	YGAG51G4A410
AGA-52G	233	250	24		X	S	YGAG52G4A410
AGA-53G	343	370	24		X	S	YGAG53G4A410
AGA-64G	123	150	24		X	S	YGAG64G4A410



A



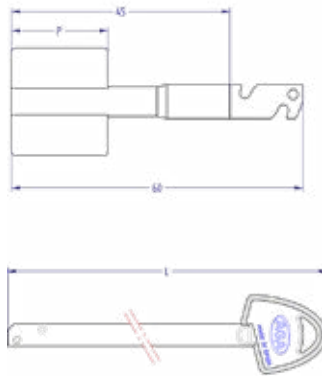
S



68G/56G

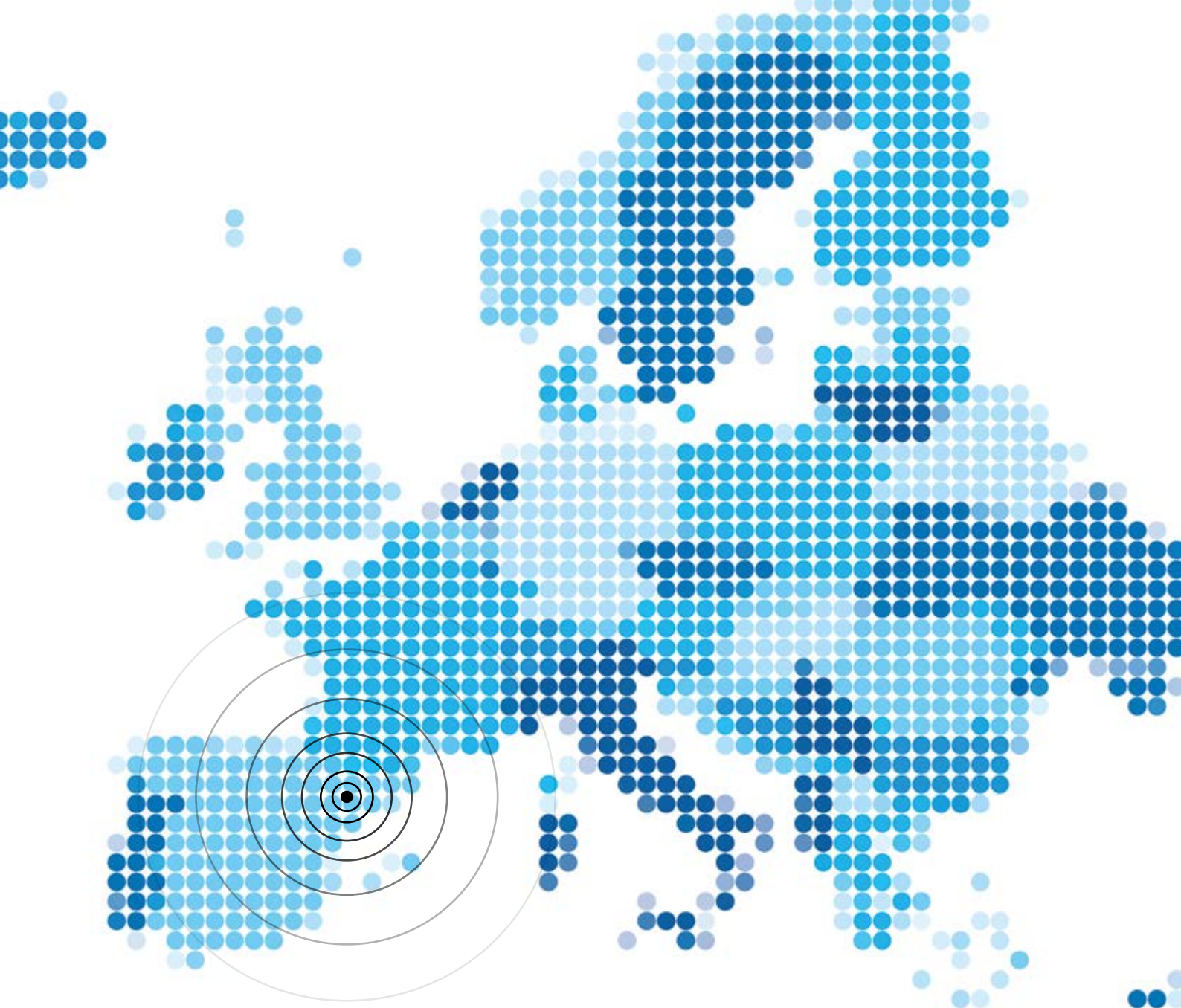
KEYS bit keys

Nickel-plated detachable double bit key.



BIT			
REF	P	CLASS	CODE
AGA-68G	15	A	YGAG68G2N810
AGA-56G	20	B	YGAG56G2N810

STEM		
KEY LENGTH	L	CODE
150	105	YGAG55G2N105
175	130	YGAG55G2N130
220	175	YGAG55G2N175
250	205	YGAG55G2N205
290	245	YGAG55G2N245
370	325	YGAG55G2N325



LOCKSMITH INDUSTRY

www.aga.es



LOCKSMITH INDUSTRY

Talleres AGA S.A.
Notario Etxogibel, 6
20500 Arrasate-Mondragón (Gipuzkoa) Spain
Telf. 943 790 922 - Fax. 943 790 976
industria@aga.es - export@aga.es
www.aga.es