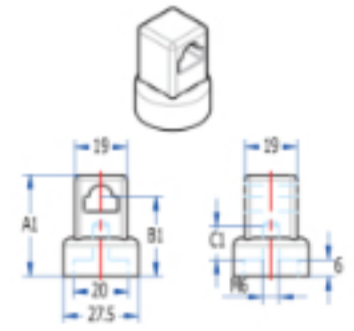


Home > General Industry > Locking systems > Accessories > [Accesorios 6909](#)



Accesorios 6909



6817,6818 and 6819 polyamide round rod guide. Locking system series 6010, 6040, 6050 and 6600. Screw on application.

	A1	B1	C1
6909-1	34	26	10
6909-2	37	29	12
6909-3	43	35	15

Categories: [Accesorios](#), [General Industry](#), [Locking systems](#)

