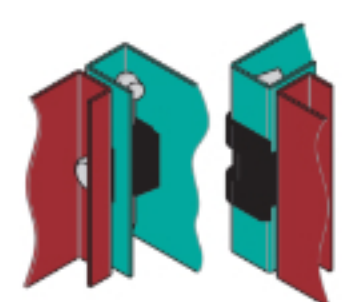
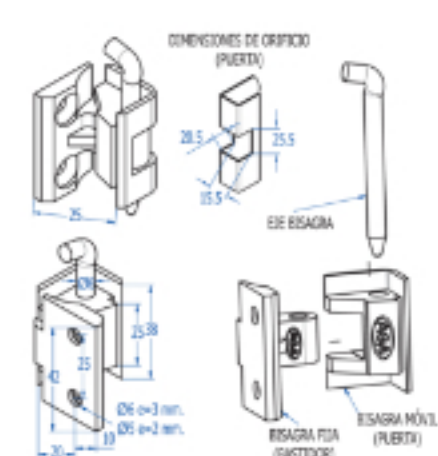


Home > General Industry > Locking systems > Hinges > Hinges for prominent door > [Hinges 9010](#)



Hinges 9010

Hinge for cabinet of 1,5mm, 2mm and 3mm door thickness.

MATERIAL	Zamak, Stainless steel AISI 304 pin
FINISH	Black
WEIGHT(grams)	94
MAXIMUM OPENING	290°
DOOR THICKNESS	1,5 mm / 2 mm

Categories: [General Industry](#), [Hinges](#), [Hinges for prominent door](#), [Locking systems](#)

