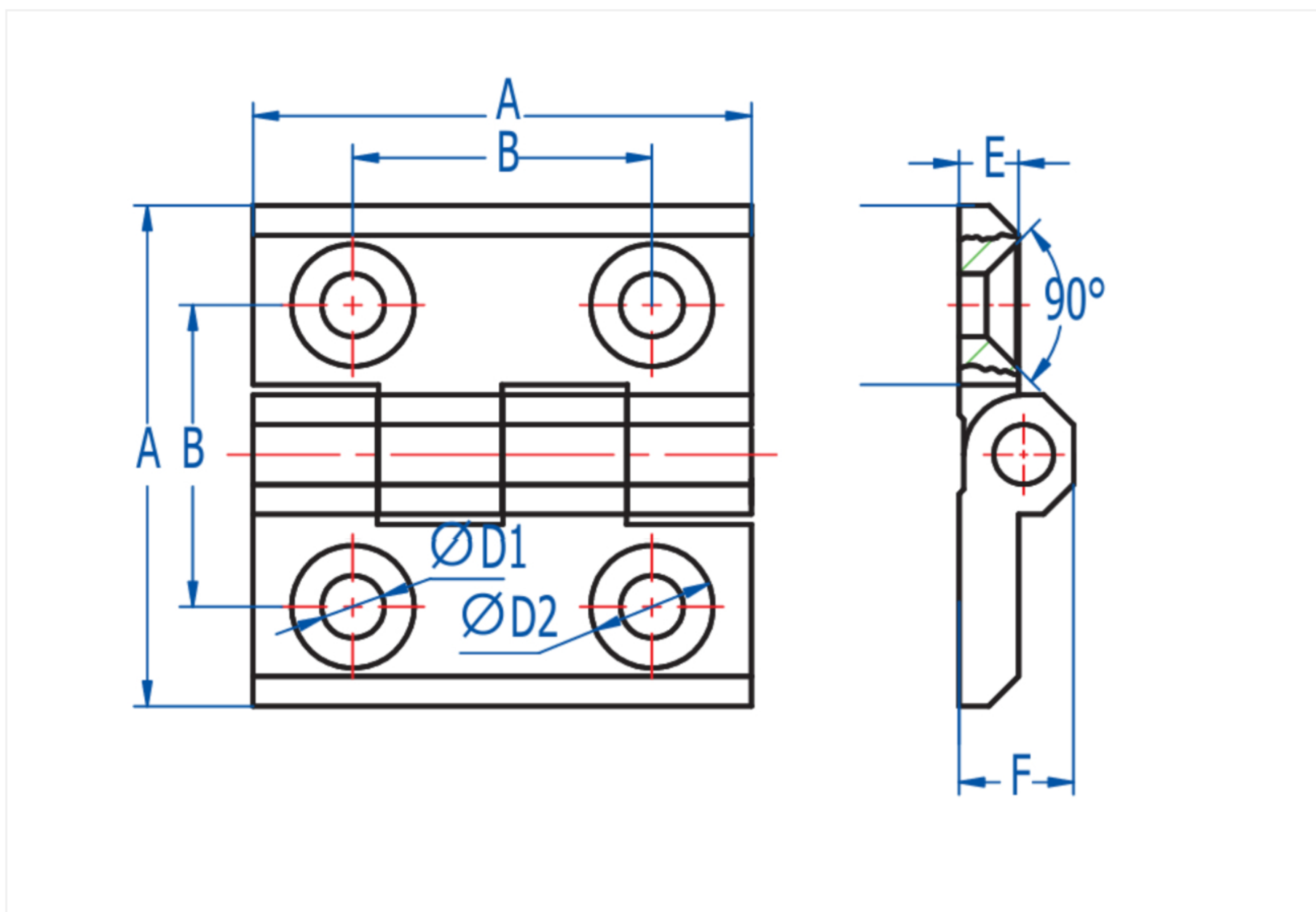
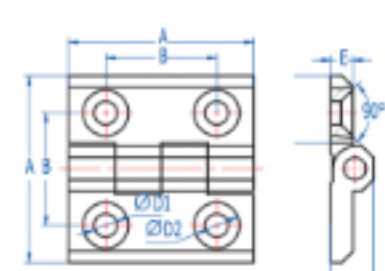
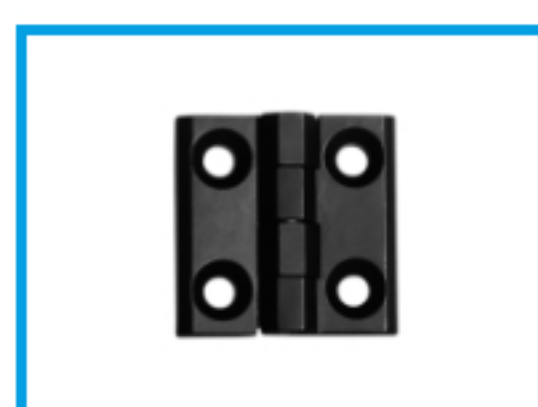


Home > General Industry > Locking systems > Hinges > Hinges for flush door > [Hinges 9050](#)



Hinges 9050

Screw on hinge for cabinet, with or without threaded studs.

MATERIAL	Zamak, Stainless steel AISI 304
FINISH	Black
WEIGHT(grs)	40×40: 46 50×50: 92 60×60: 180
MAXIMUM OPENING	180°
FEATURES	Counter shunk

MEASURES:

9050	A	B	D1	D2	E	F
40×40	40	25	5,5	10,5	5	9
50×50	50	30	6,3	12,3	6	11,5
60×60	60	36	8,5	16,5	8	15

Categories: [General Industry](#), [Hinges](#), [Hinges for flush door](#), [Locking systems](#)