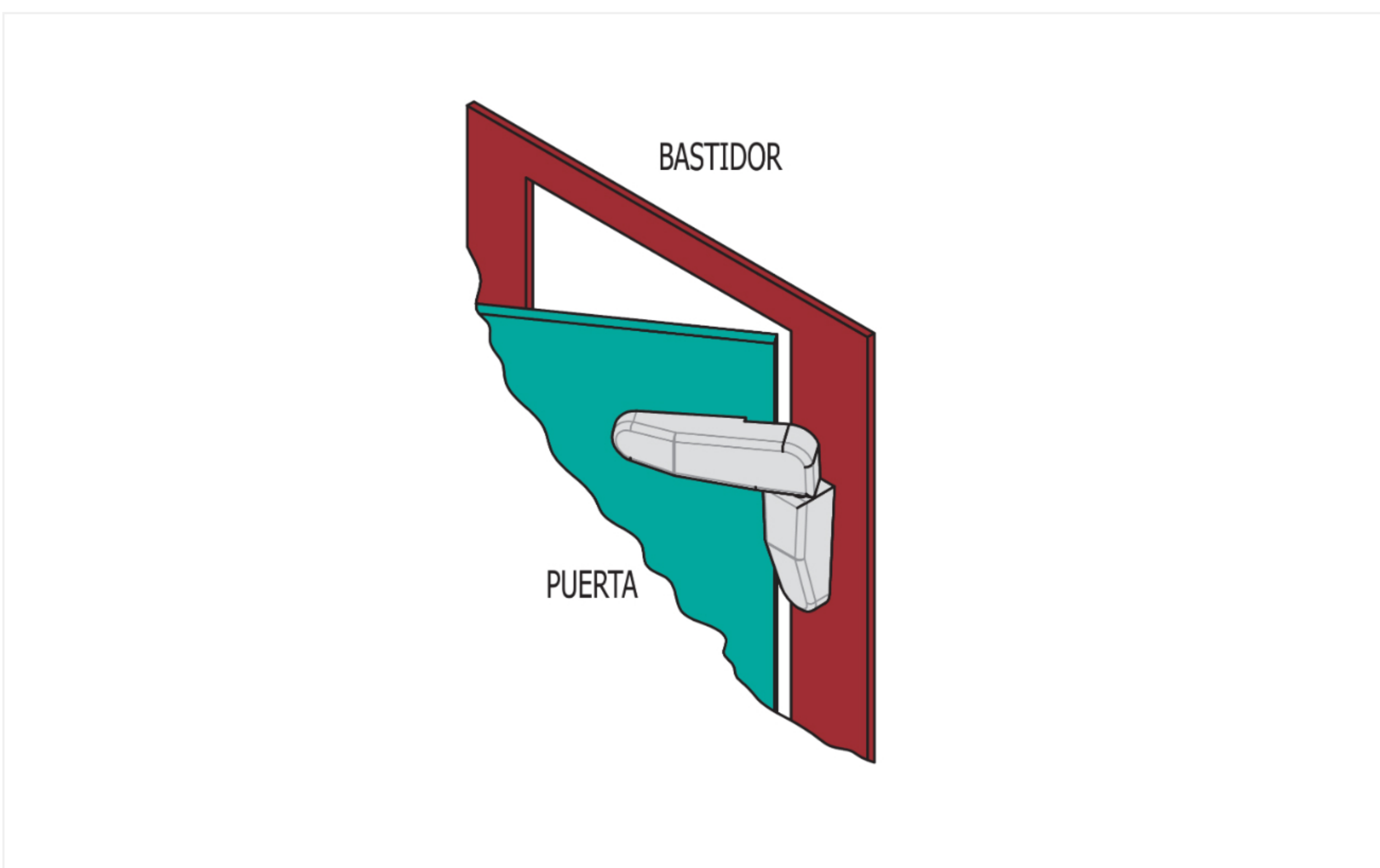
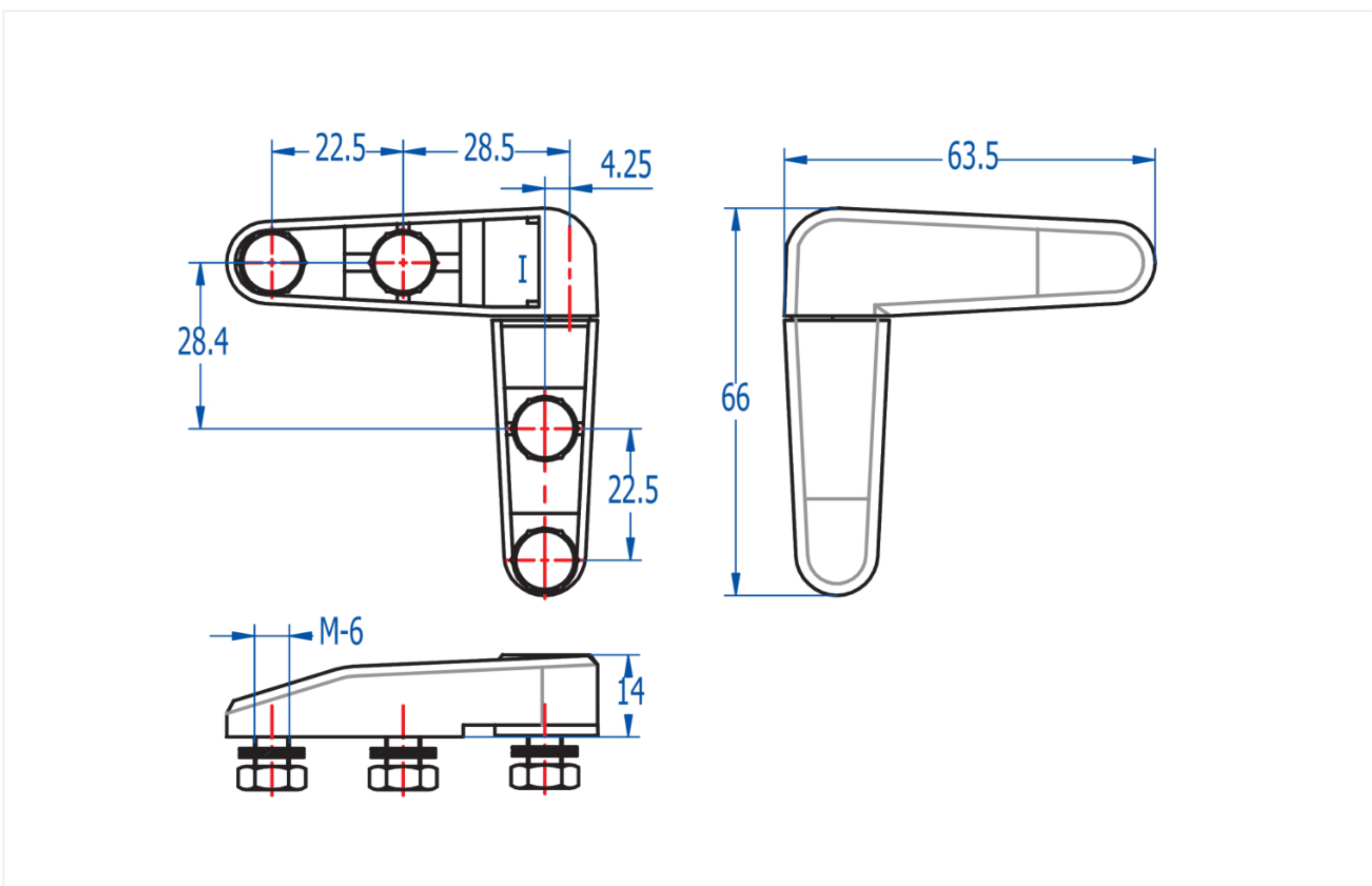
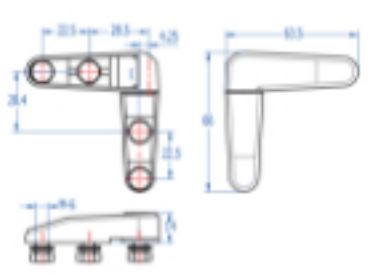


Home > General Industry > Locking systems > Hinges > Hinges for flush door > [Hinges 965](#)



## Hinges 965

Screw on zamak hinge for swing door cabinet.



MATERIAL	Zamak, Stainless steel AISI 304 pin
FINISH	Negro, Chromim plated
WEIGHT(grs)	95
MAXIMUM OPENING	150°
TURNING DIRECTION	Right turning direction / Left turning direction
ACCESORIES	Stainless steel AISI 304 screw, Stainless steel earthwashe

Categories: [General Industry](#), [Hinges](#), [Hinges for flush door](#), [Locking systems](#)