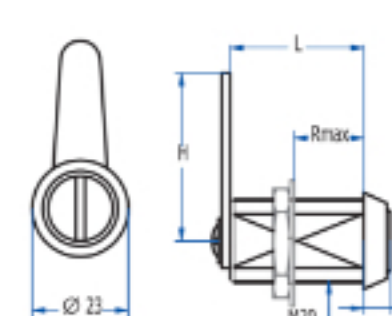
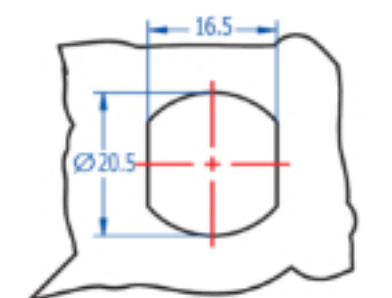


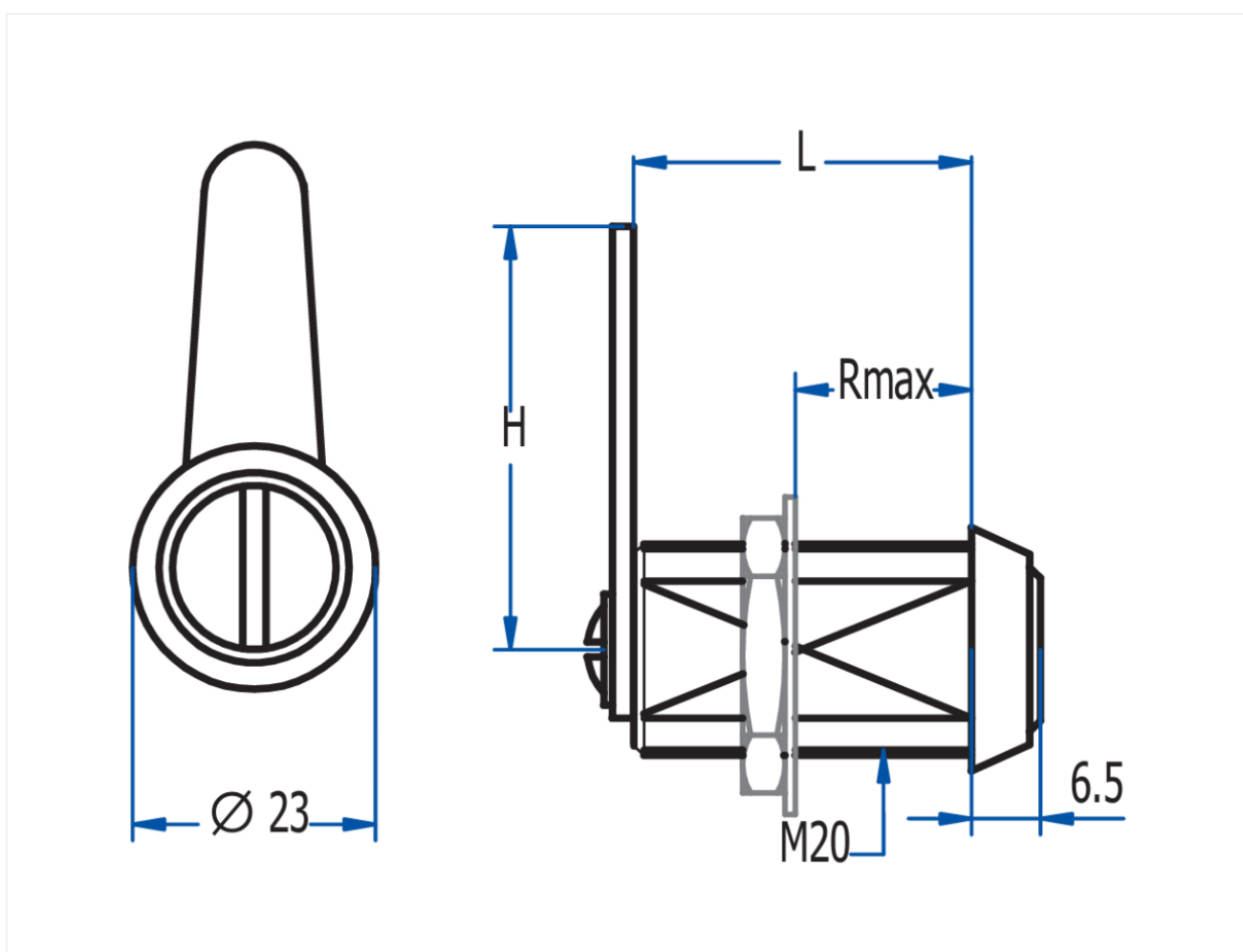
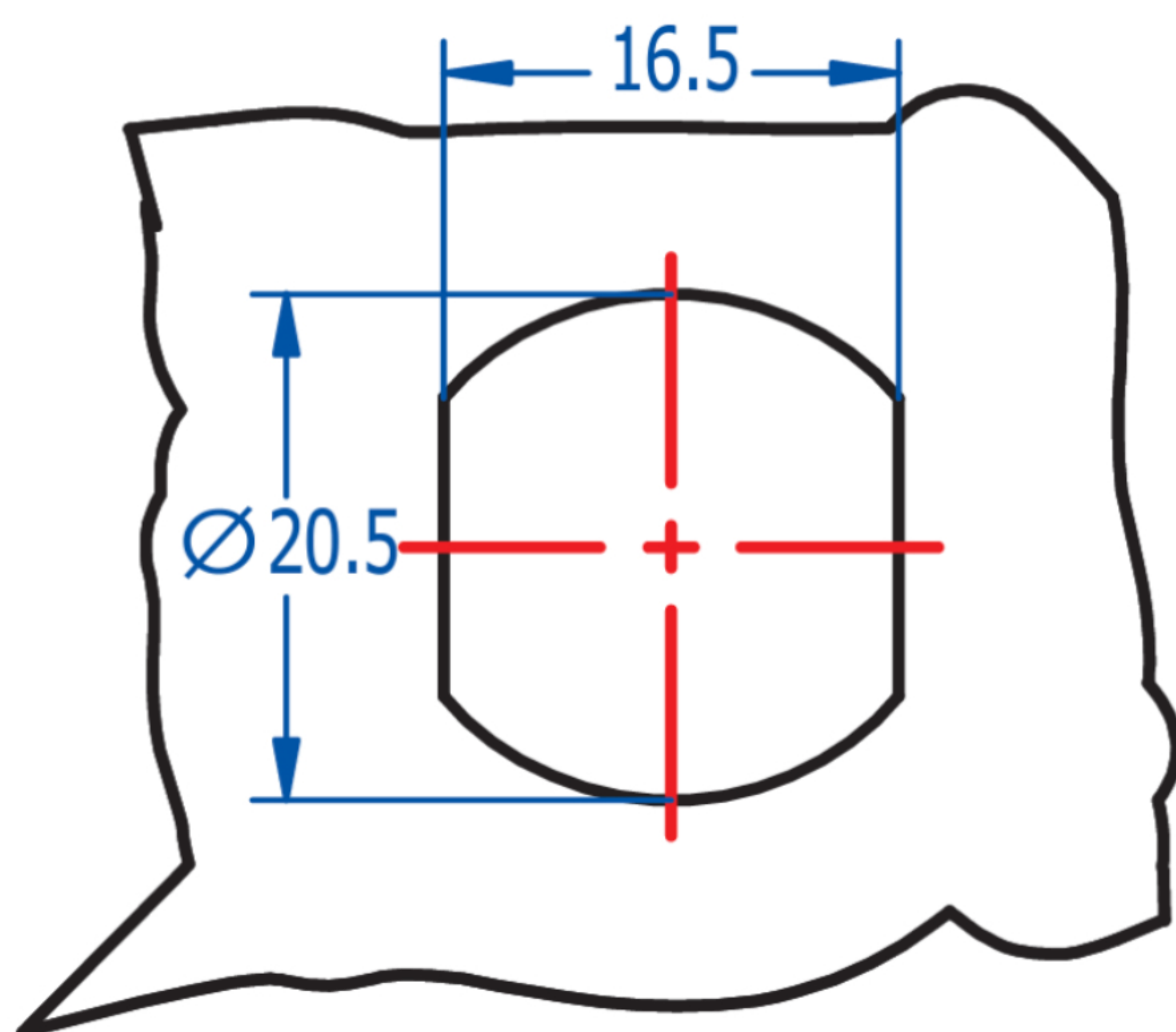
Home > General Industry > Locking systems > Latches and locks > M20 quarter-turn fasteners > [Miscellaneous M20 185 Quarter Turn Latches](#)



Dimensiones del orificio



Dimensiones del orificio



Miscellaneous M20 185 Quarter Turn Latches

LOCKING SYSTEM

Basic latch to close small boxes, chests and light cabinets. The opening is performed by using a screwdriver or a coin.



KEY FORM	Slot
MATERIAL	Zamak
FINISH	Chromium plated, Black
FEATURES	L = 18,5 mm / R max.=5 mm
WEIGHT(grs)	44
Locking direction	180°Right / Left
ACCESORIES	M20 Nuts, Lock washer

Categories: [General Industry](#), [Latches and locks](#), [Locking systems](#), [M20 quarter-turn fasteners](#)