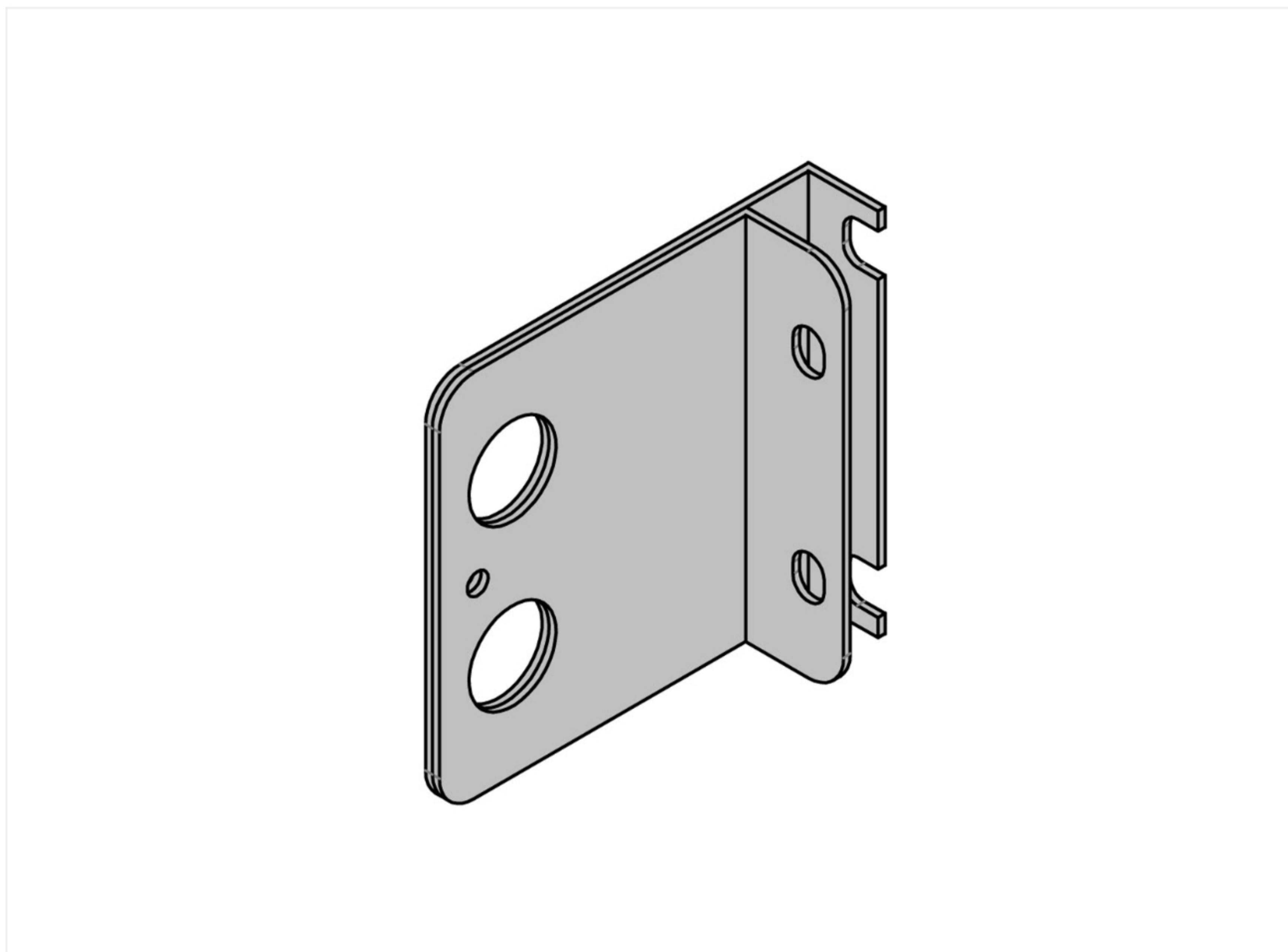
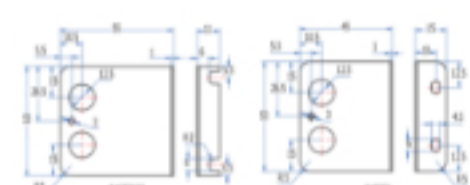
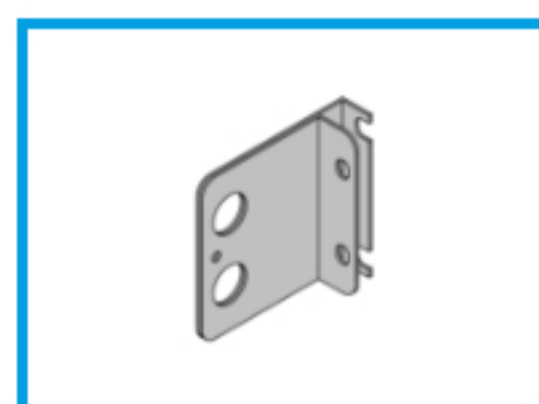


Home > General Industry > Locking systems > Accessories > Padlock facilities



# Padlock facilities

Stainless steel AISI 304.



Categories: [Accessories](#), [General Industry](#), [Locking systems](#)

