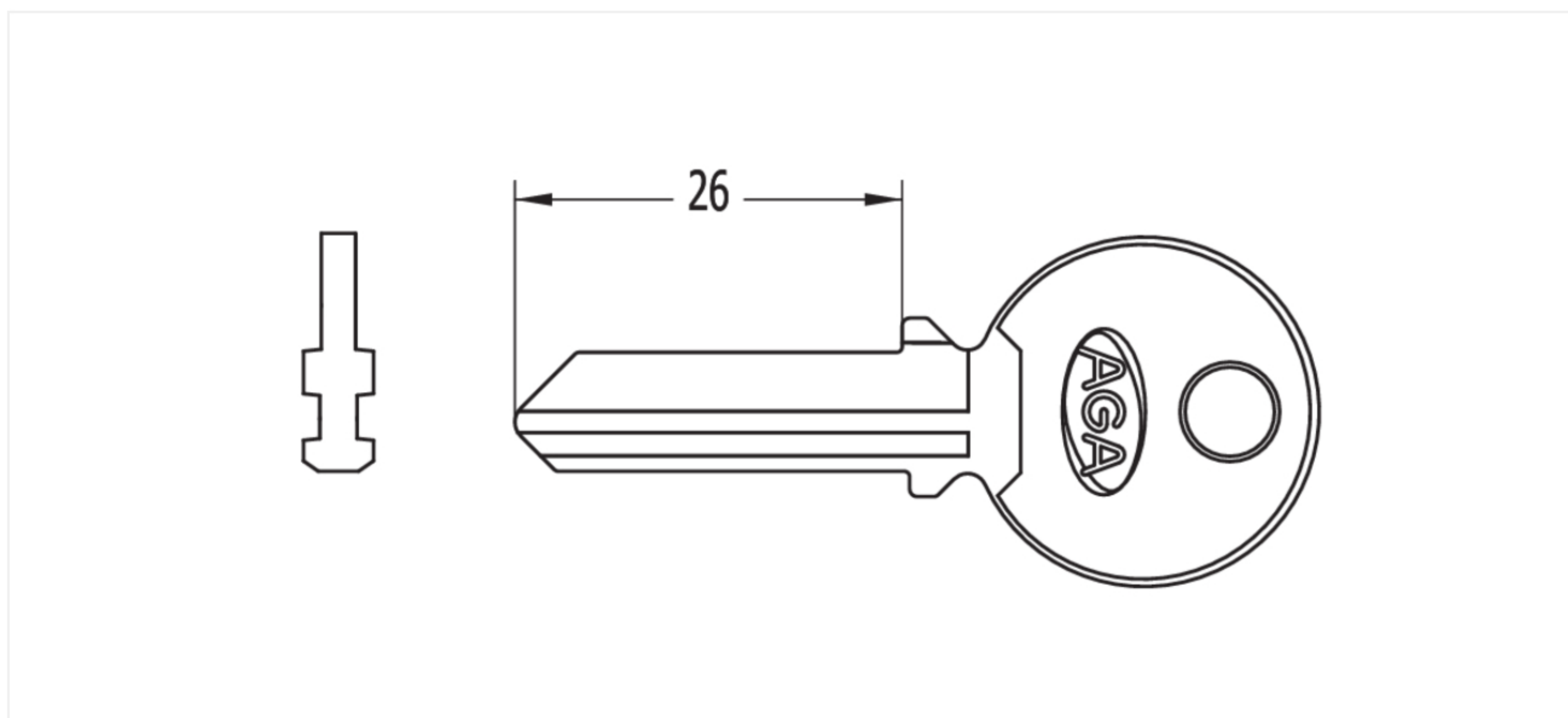
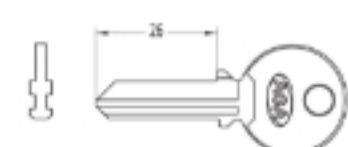
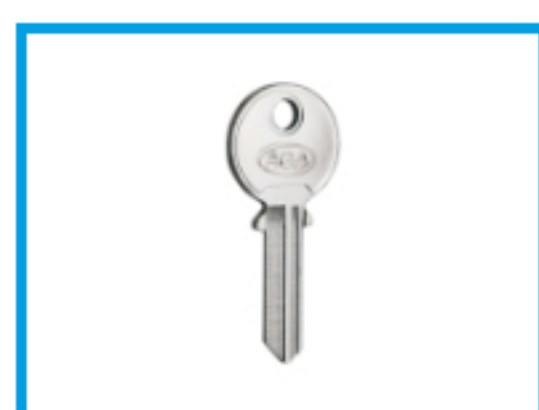


Home > General Industry > Locking systems > Keys > Standard and safety keys > [Standard Key AGA 10](#)



## Standard Key AGA 10

Nickel-plated steel.



Categories: [General Industry](#), [Keys](#), [Locking systems](#), [Standard and safety keys](#)