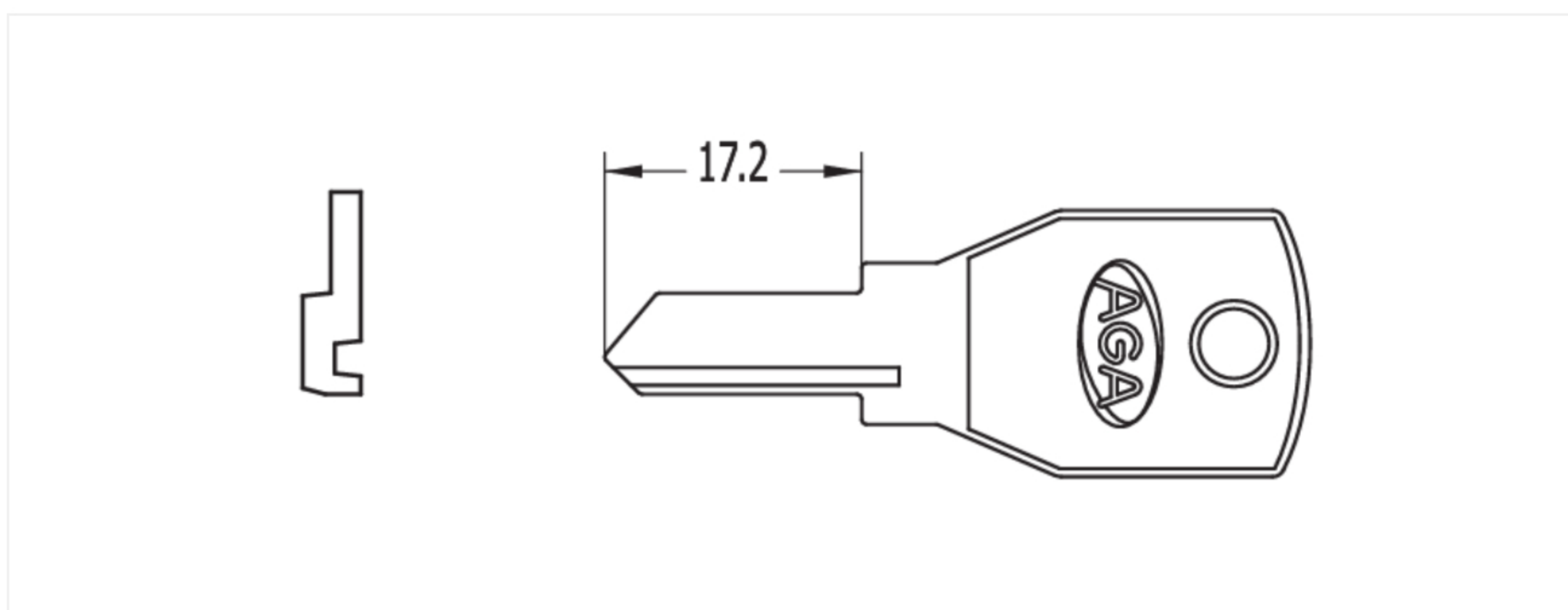
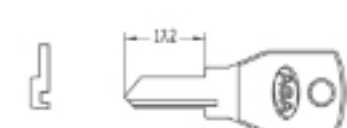


Home > General Industry > Locking systems > Keys > Standard and safety keys > [Standard Key AGA 9I](#)



Standard Key AGA 9I

Nickel-plated steel.



Categories: [General Industry](#), [Keys](#), [Locking systems](#), [Standard and safety keys](#)