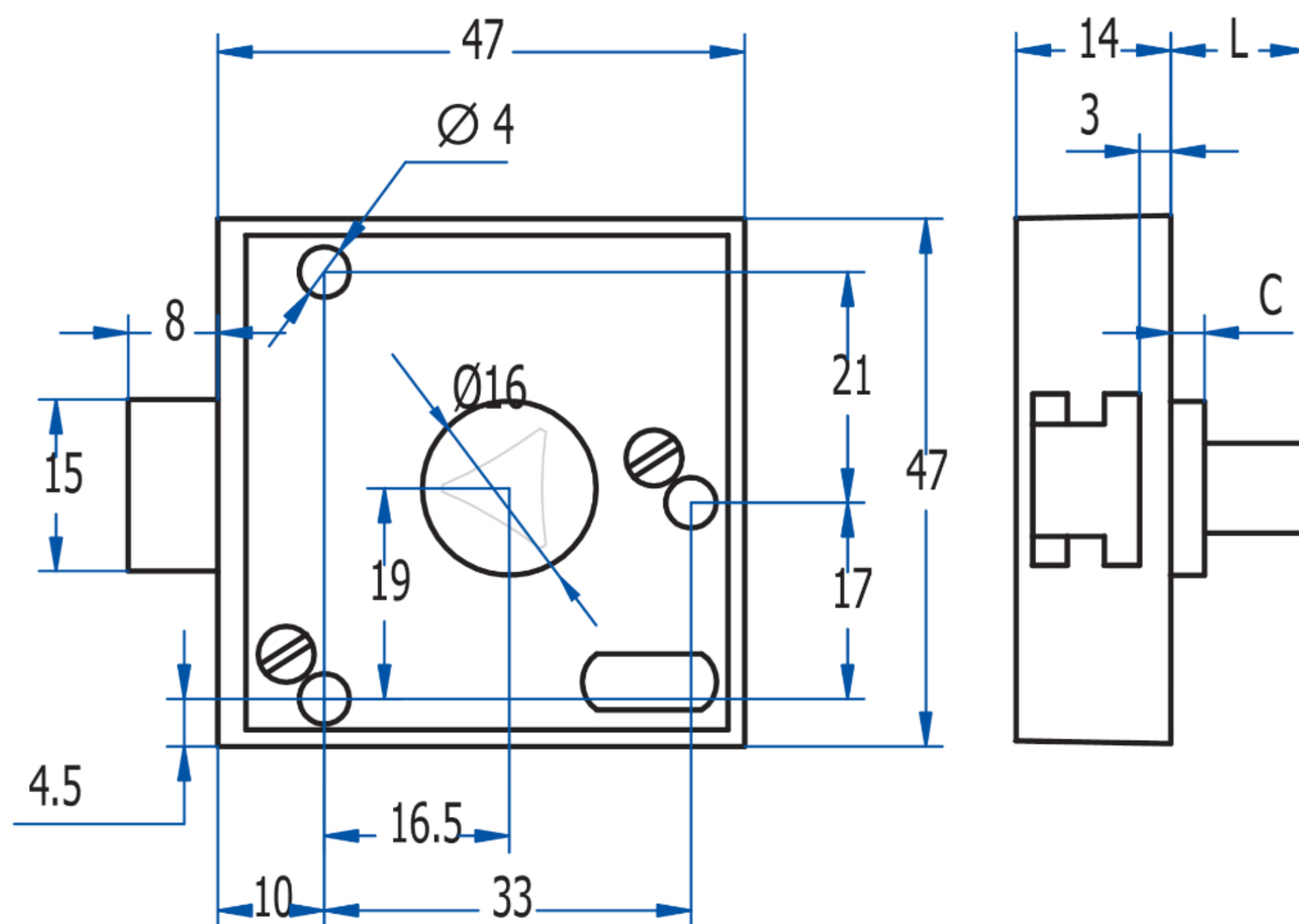
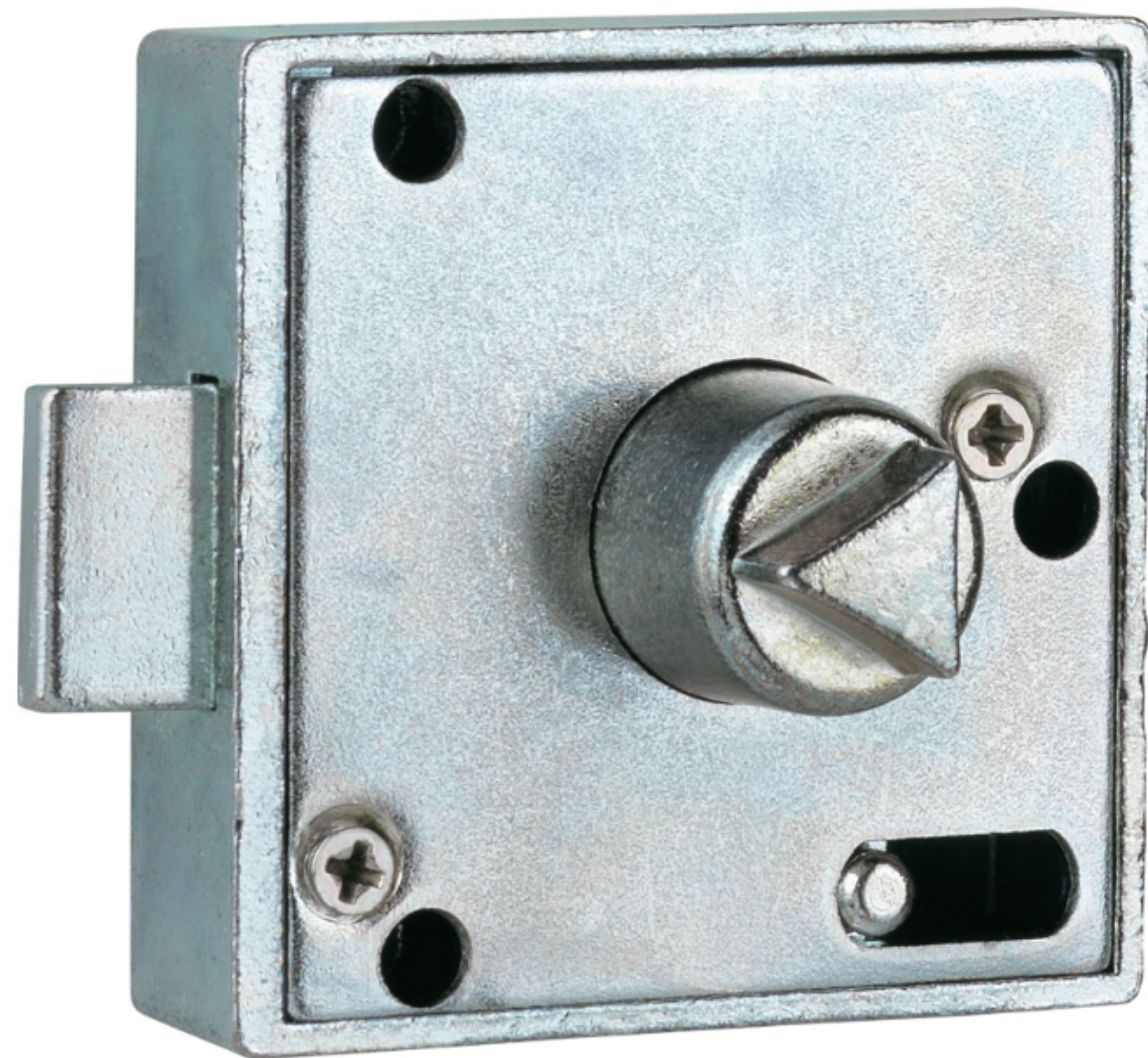
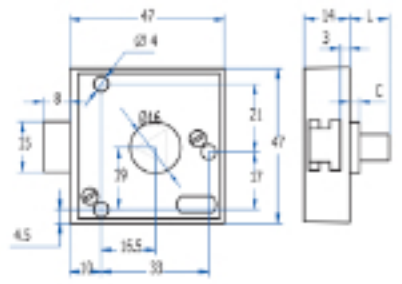


Home > General Industry > Locking systems > Latches and locks > Various > [Various Superimposing Pin Push 593](#)



Various Superimposing Pin Push 593

Superimposing pin push latch that could be used for different door thickness. The door is closed by pushing it, it is not necessary to use the key.



KEY FORM	Triangular 10 mm
MATERIAL	Zamak
FINISH	Zinc plated
FEATURES	L = 16 mm / C = 11 mm
WEIGHT(grs)	122
ACCESORIES	-
KEY	030310T

Categories: [General Industry](#), [Latches and locks](#), [Locking systems](#), [Various](#)