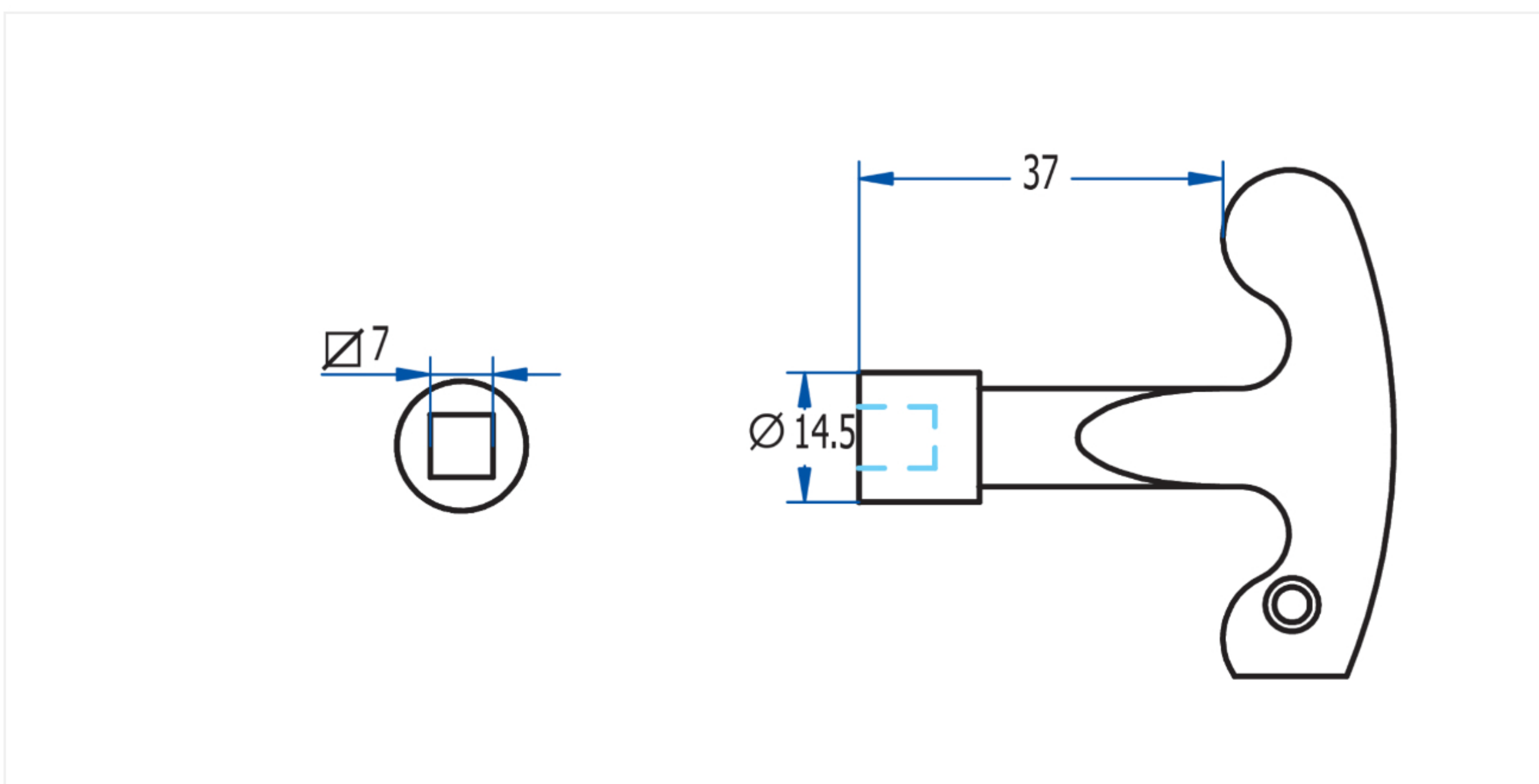
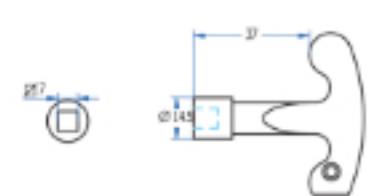


Home > General Industry > Locking systems > Keys > Locking keys > [Keys for Latches Square Keys 03017C](#)



Keys for Latches Square Keys 03017C

Nickel-plated zamak. Latches: 192, 197



Categories: [General Industry](#), [Keys](#), [Locking keys](#), [Locking systems](#)