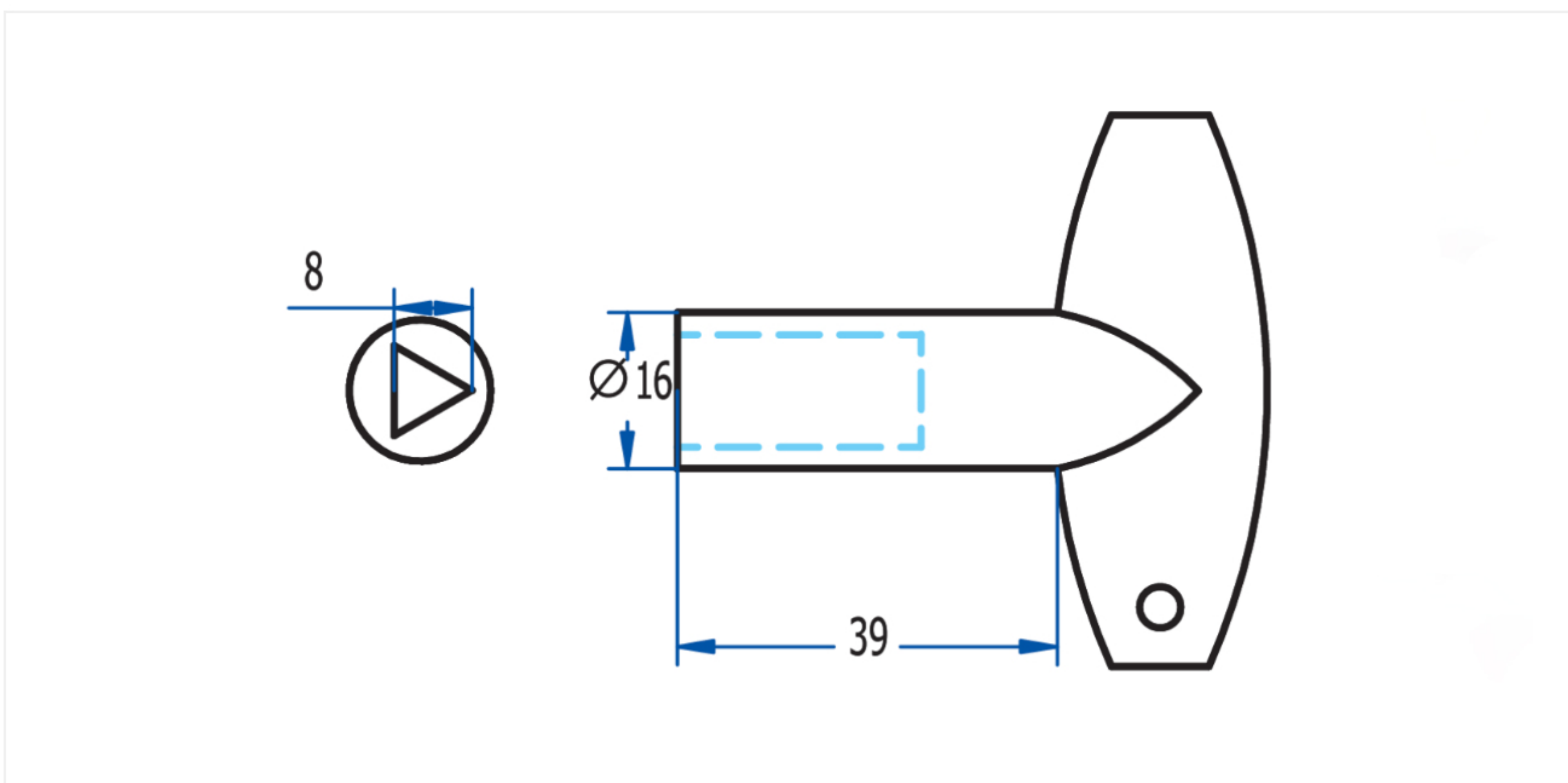
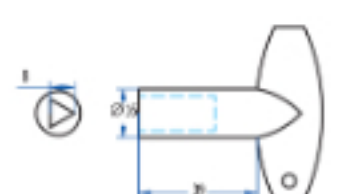


Home > General Industry > Locking systems > Keys > Locking keys > Keys for Latches Triangular Keys 050TF



Keys for Latches Triangular Keys 050TF

Grey polyamide. Latches: 193, 193A, 193M, 194T, 293F, 393, 403, 443, 493, 493R



Categories: [General Industry](#), [Keys](#), [Locking keys](#), [Locking systems](#)