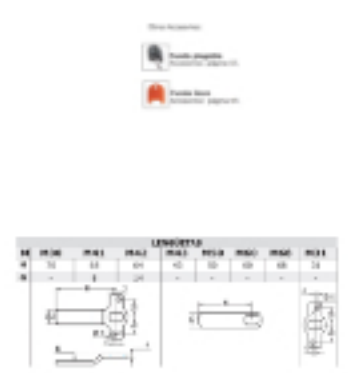
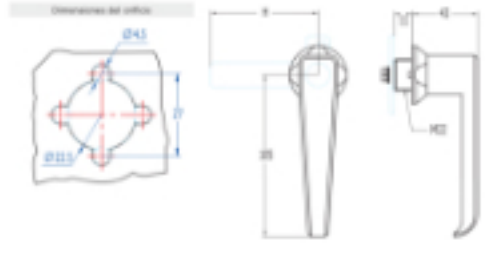


Home > General Industry > Locking systems > Handles > L Handles > [L Handles 676](#)

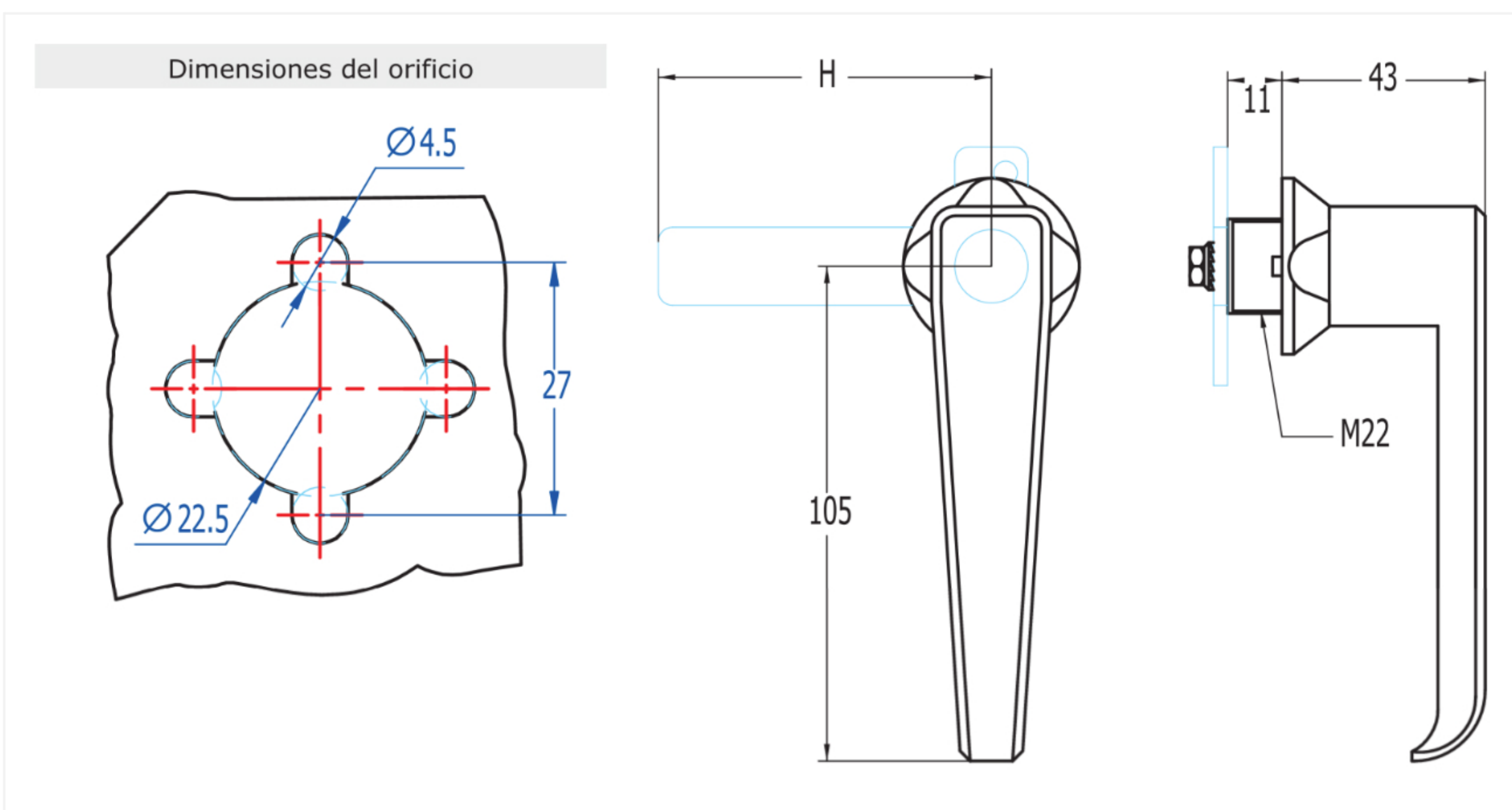


L Handles 676

L handle with cam for metal cabinets.

| | |
|-------------------|--|
| TYPE | For padlock |
| KEY | - |
| MATERIAL | Zamak |
| FINISH | Black, Chromium plated |
| N° COMBINATIONS | - |
| WEIGHT(grs) | 298 |
| LOCKING DIRECTION | 90° Right / 90° Left |
| ACCESORIES | M22 nut, M22 metallic washer, M22 anti turn washer |

Categories: [General Industry](#), [Handles](#), [L Handles](#), [Locking systems](#)



Otros Accesorios:



Funda plegable
Accesorios: página 63.



Funda llave
Accesorios: página 63.

| LENGÜETAS | | | | | | | | |
|-----------|-----|-----|-----|-----|-----|-----|-----|-----|
| M | M30 | M41 | M42 | M43 | M50 | M60 | M68 | M31 |
| H | 70 | 68 | 64 | 43 | 50 | 60 | 68 | 31 |
| G | - | 8 | 14 | - | - | - | - | - |