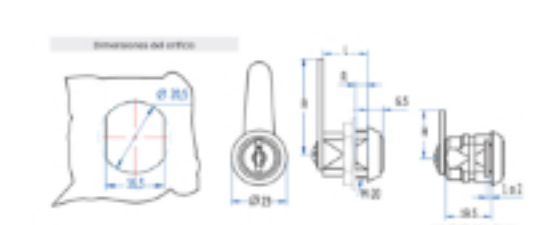
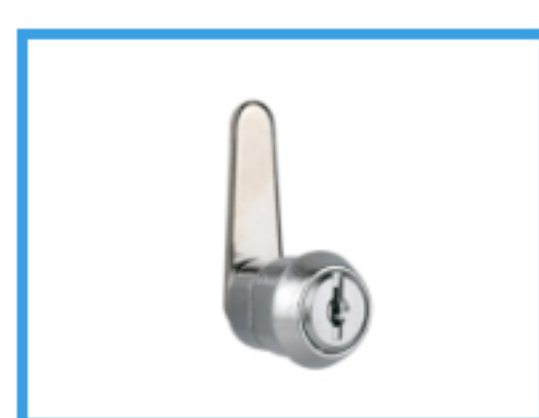


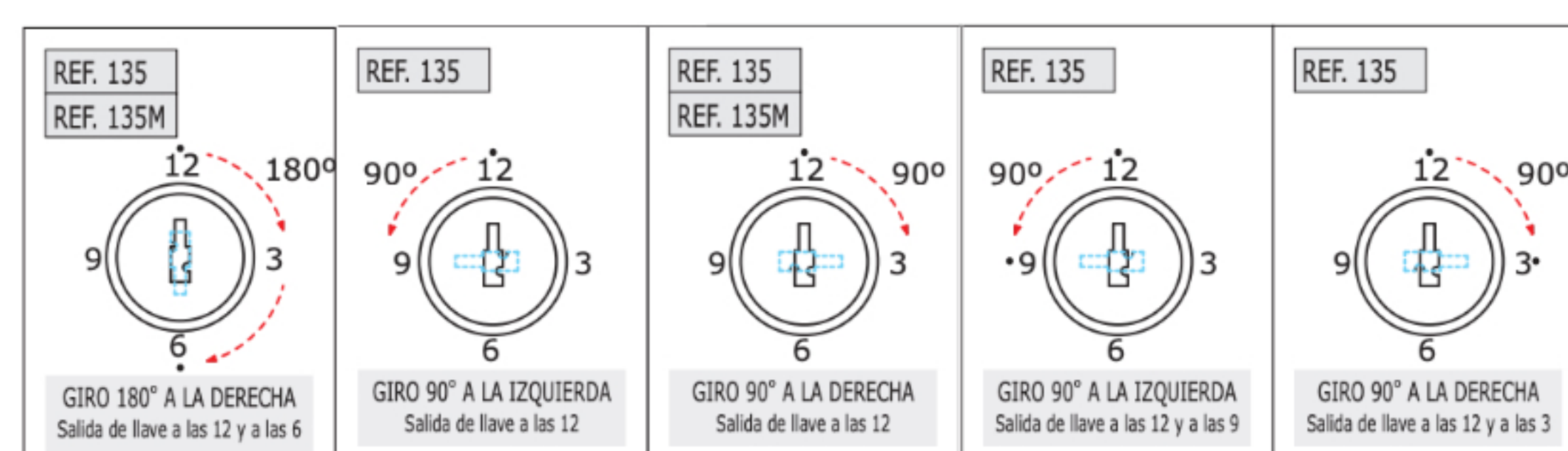
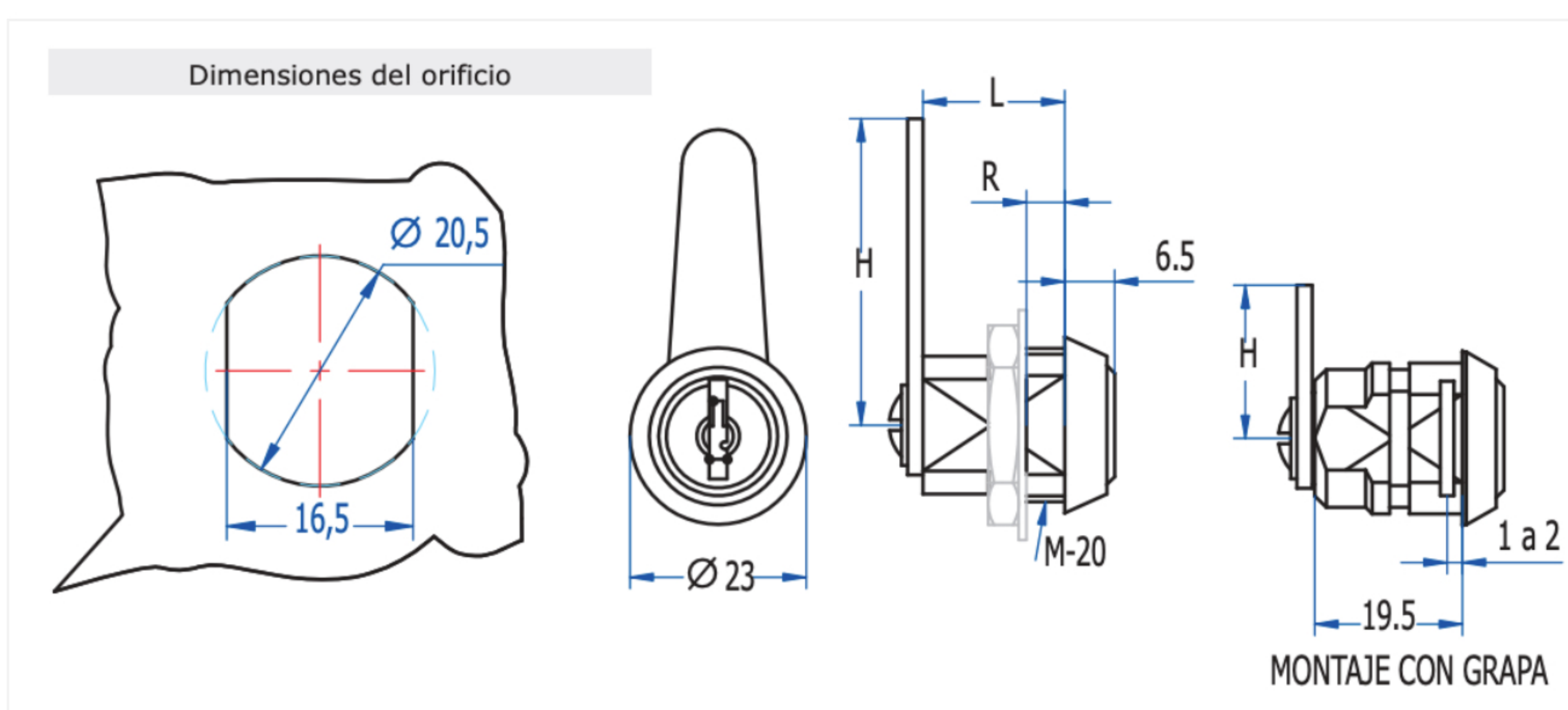
Home > General Industry > Locking systems > Latches and locks > M20 reed locks > **M20 135 Cam Lock**



## M20 135 Cam Lock

Lock for metal and wood furniture with a range of door thickness 5mm, 13mm or 27mm, with great versatility for direction of turn, clockwise, counter clockwise, quarter turn or half turn, and for key removable positions, 1 or 2. Same code locks group option available.

KEYMODEL	Series 500 or 900
MATERIAL	Zamak
FINISH	Chromium plated, Brass plated, Black
FEATURES	L = 18,5mm / R = 13,5mm L = 18,5mm / R = 5mm
Nº OF COMBINATIONS	208
WEIGHT(grs)	62
ACCESORIES	M20 Nut, Fixing clip



### Otros Accesorios:



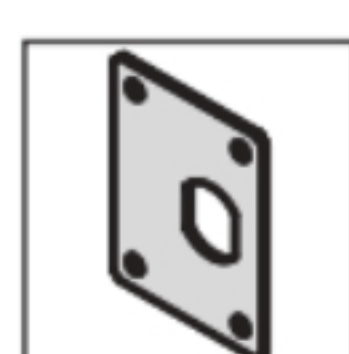
**Funda plegable**  
Accesorios: página 63.



**Funda llave**  
Accesorios: página 63.



**Tirador 0013**  
Accesorios: página 63.



**Placa antigiro**  
Accesorios: página 63.

