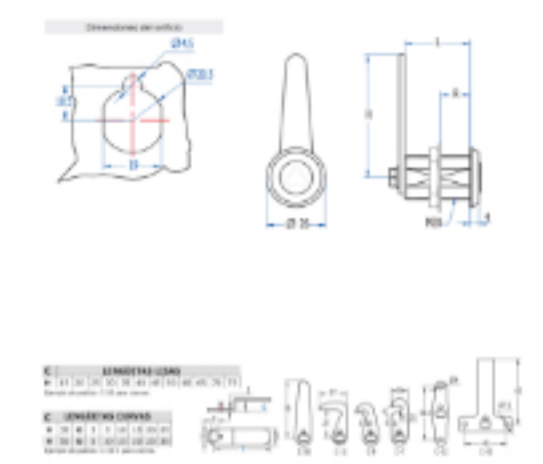


Home > General Industry > Locking systems > Latches and locks > M20 quarter-turn fasteners > [M20 197 Quarter Turn Latches](#)



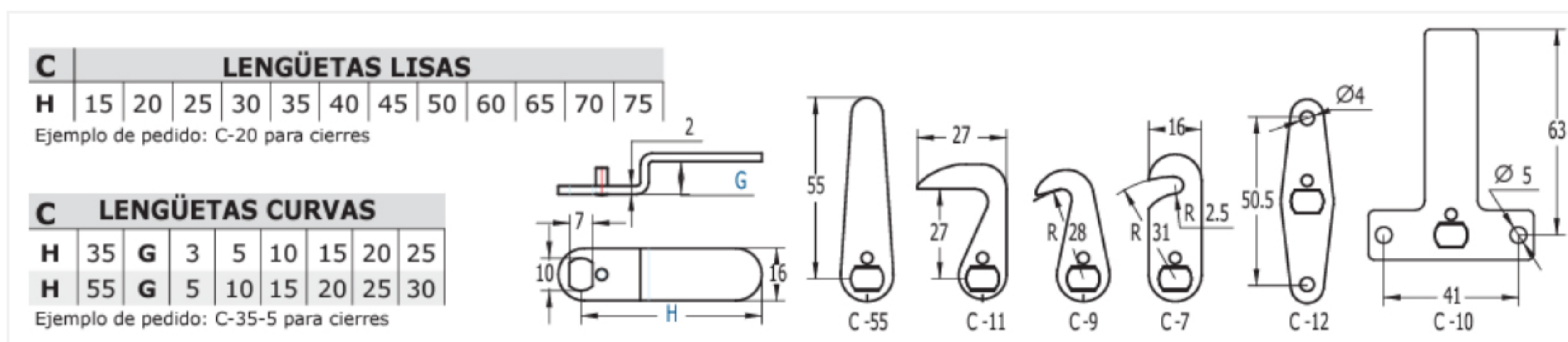
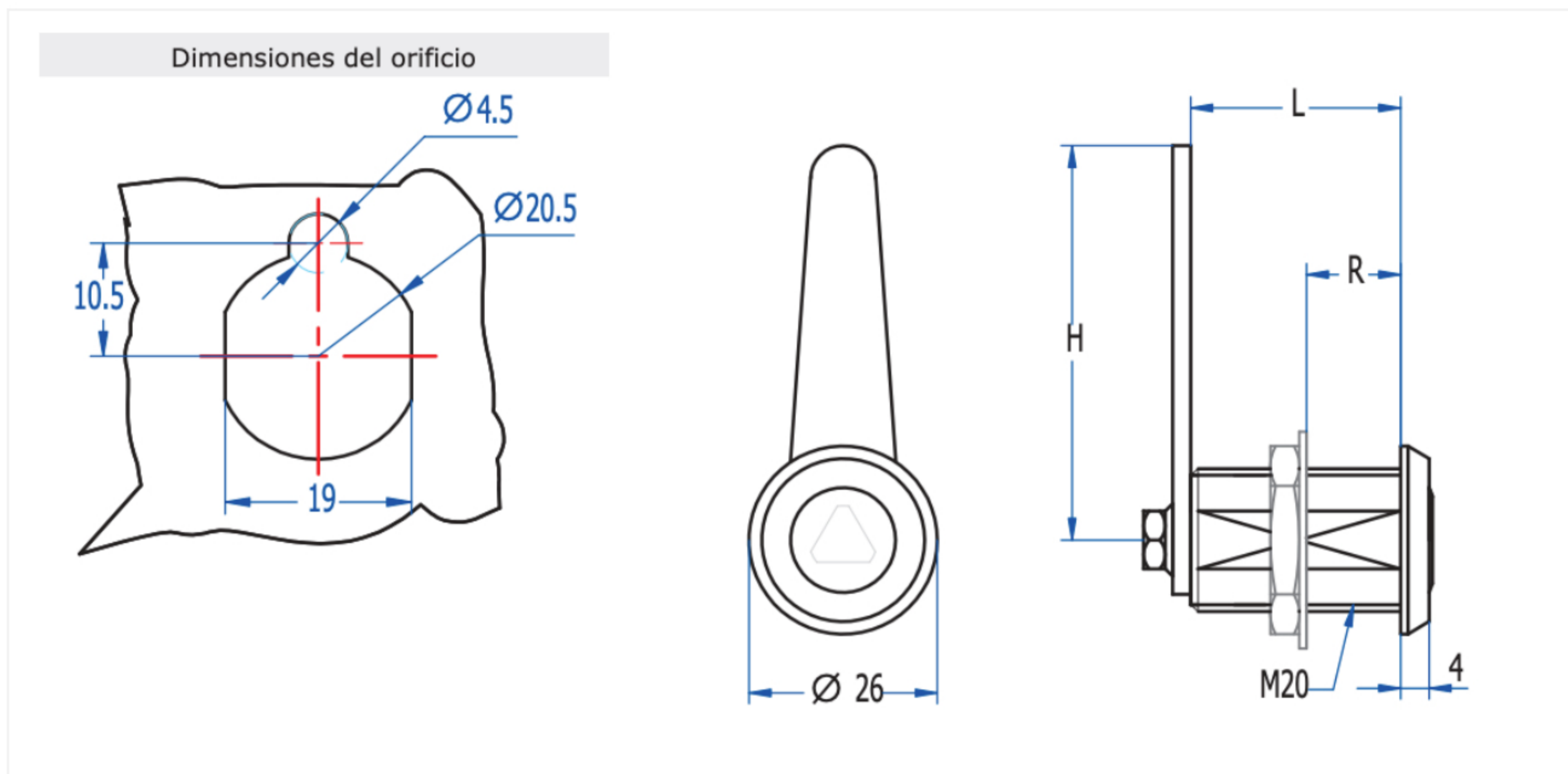
## M20 197 Quarter Turn Latches

### LOCKING SYSTEM

Quarter turn latches for door with thickness up to 6mm. Constant cam pressure against cabinet frame avoids unnecessary openings caused by vibrations. For general applications where no common keys were necessary.



|                   |                               |
|-------------------|-------------------------------|
| KEY FORM          | Square 8 mm & Square 7 mm     |
| MATERIAL          | Zamak                         |
| FINISH            | Chromium plated               |
| FEATURES          | L= 21,5 mm / Rmax = 6 mm      |
| WEIGHT(grams)     | 60                            |
| Locking direction | 90° Right                     |
| ACCESORIES        | M20 Nuts, M20 metallic washer |
| KEY               | 3018C                         |



Categories: [General Industry](#), [Latches and locks](#), [Locking systems](#), [M20 quarter-turn fasteners](#)

