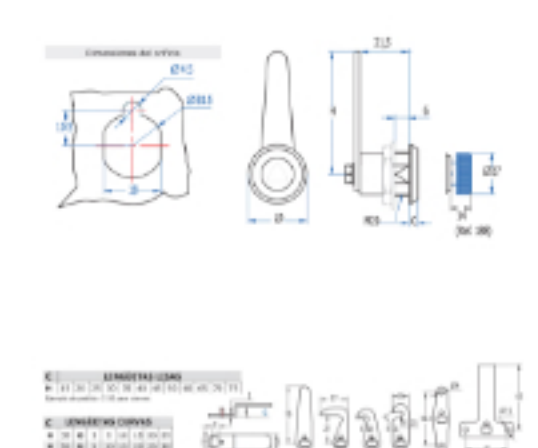


Home > General Industry > Locking systems > Latches and locks > M20 quarter-turn fasteners > [M20 293 Quarter Turn Latches](#)



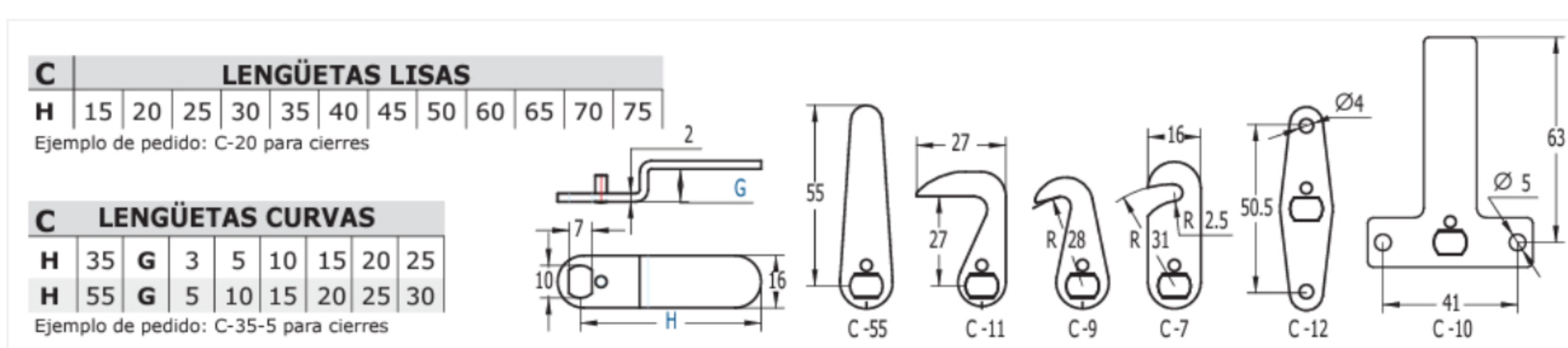
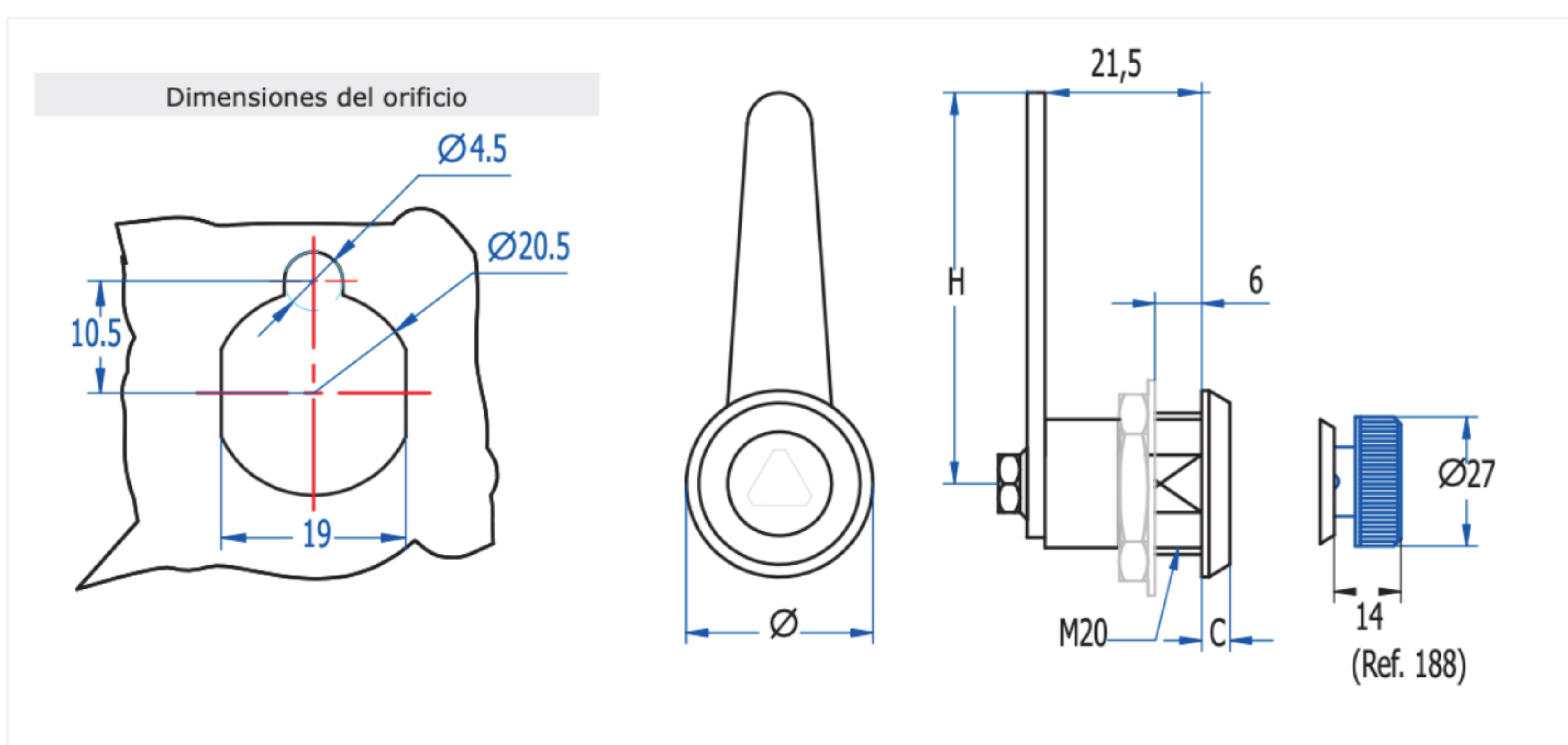
M20 293 Quarter Turn Latches

LOCKING SYSTEM

Quarter turn latches for door with thickness up to 6mm. Constant cam pressure against cabinet frame avoids unnecessary openings caused by vibrations. For general applications where no common keys were necessary.



KEY FORM	Triangular 10 mm
MATERIAL	Zamak
FINISH	Chromium plated
FEATURES	C = 4mm / Ø = 26mm
WEIGHT(grs)	52
Locking direction	90° Right
ACCESORIES	M20 Nuts, M20 metallic washer
KEY	30110T



Categories: [General Industry](#), [Latches and locks](#), [Locking systems](#), [M20 quarter-turn fasteners](#)

