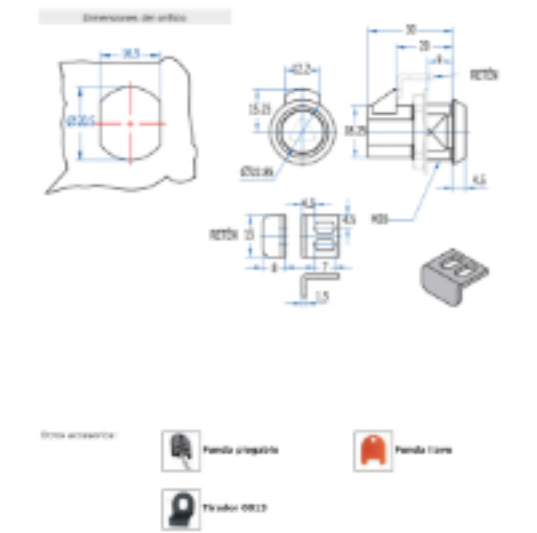



Home > General Industry > Locking systems > Latches and locks > M20 impact locks > [M20 300 Pin Push Latches and Locks](#)



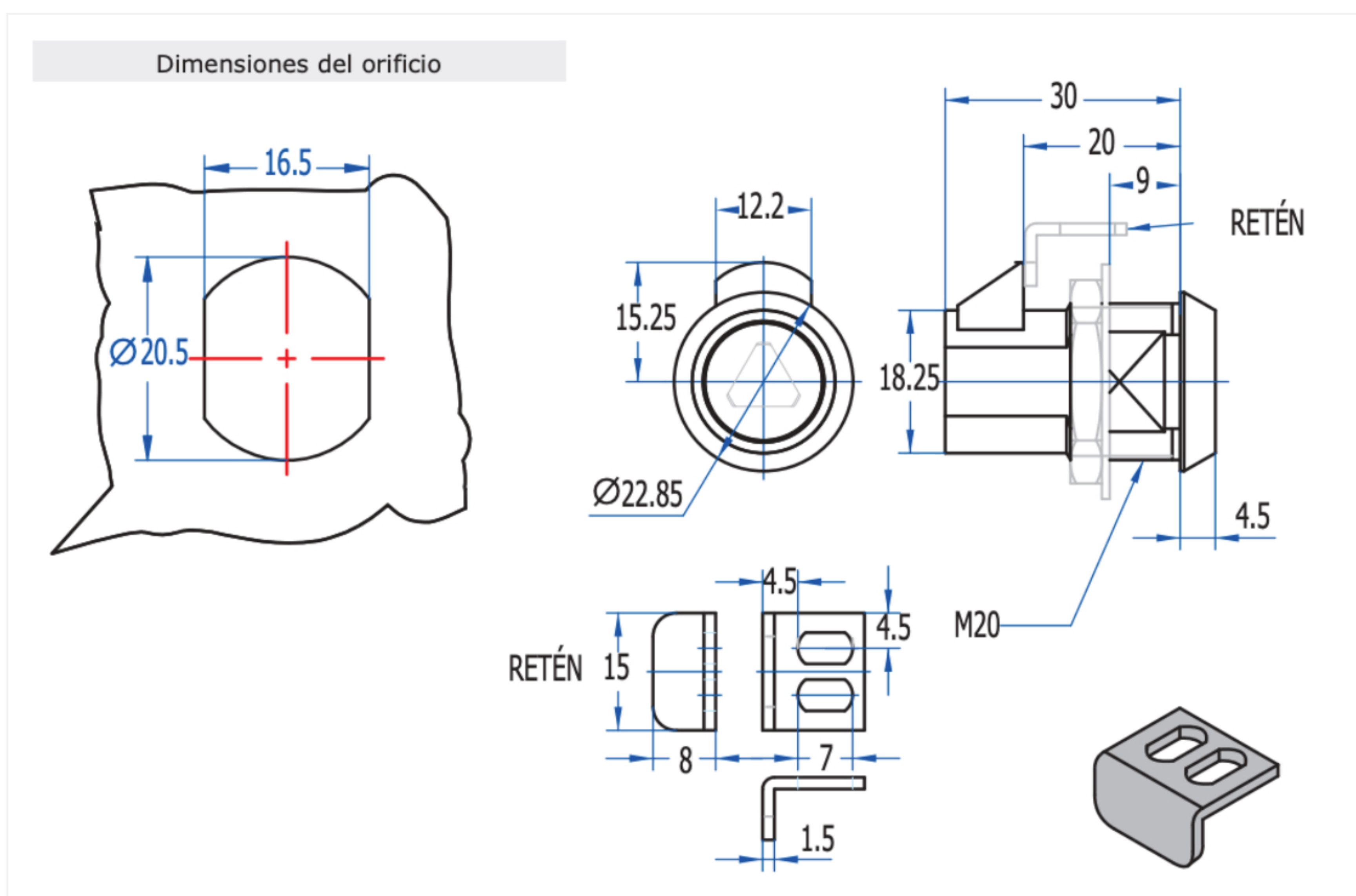
M20 300 Pin Push Latches and Locks

Lock with pin push for door with thickness up to 9mm. The door is closed by pushing it, it is not necessary to use the key. 

AGA supplies as standard the latches without keys except model 300 which is supplied with 2 keys series 500 or 900. Notes: for left and right door.

KEY FORM	Standard key
MATERIAL	Zamak
FINISH	Chromium plated
Nº OF COMBINATIONS	208
WEIGHT(grams)	44
ACCESORIES	M20 Nut, M20 metallic washer, Stop plate
KEY	Series 500 or 900

Categories: [General Industry](#), [Latches and locks](#), [Locking systems](#), [M20 impact locks](#)



Otros accesorios:



Funda plegable



Funda llave



Tirador 0013