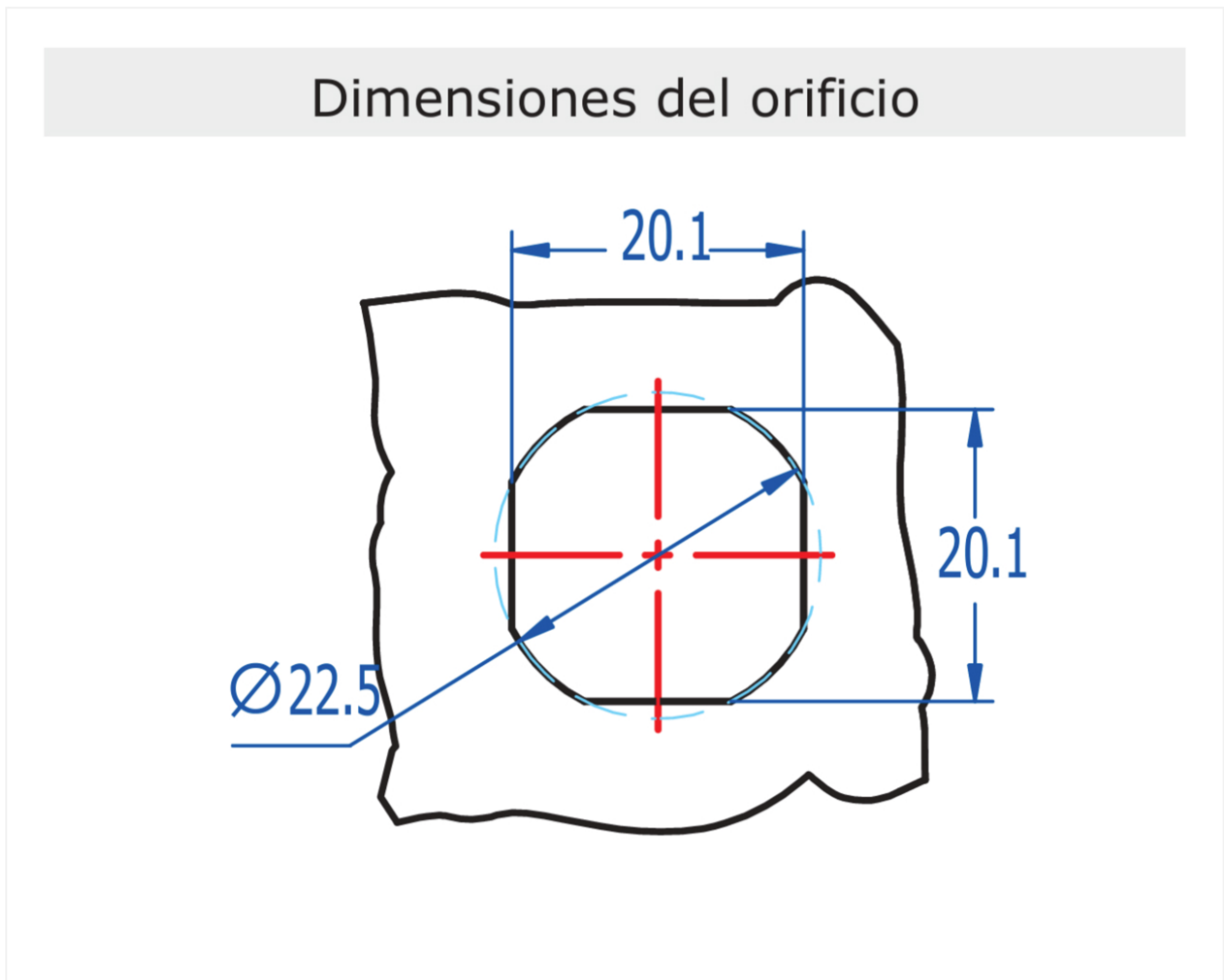
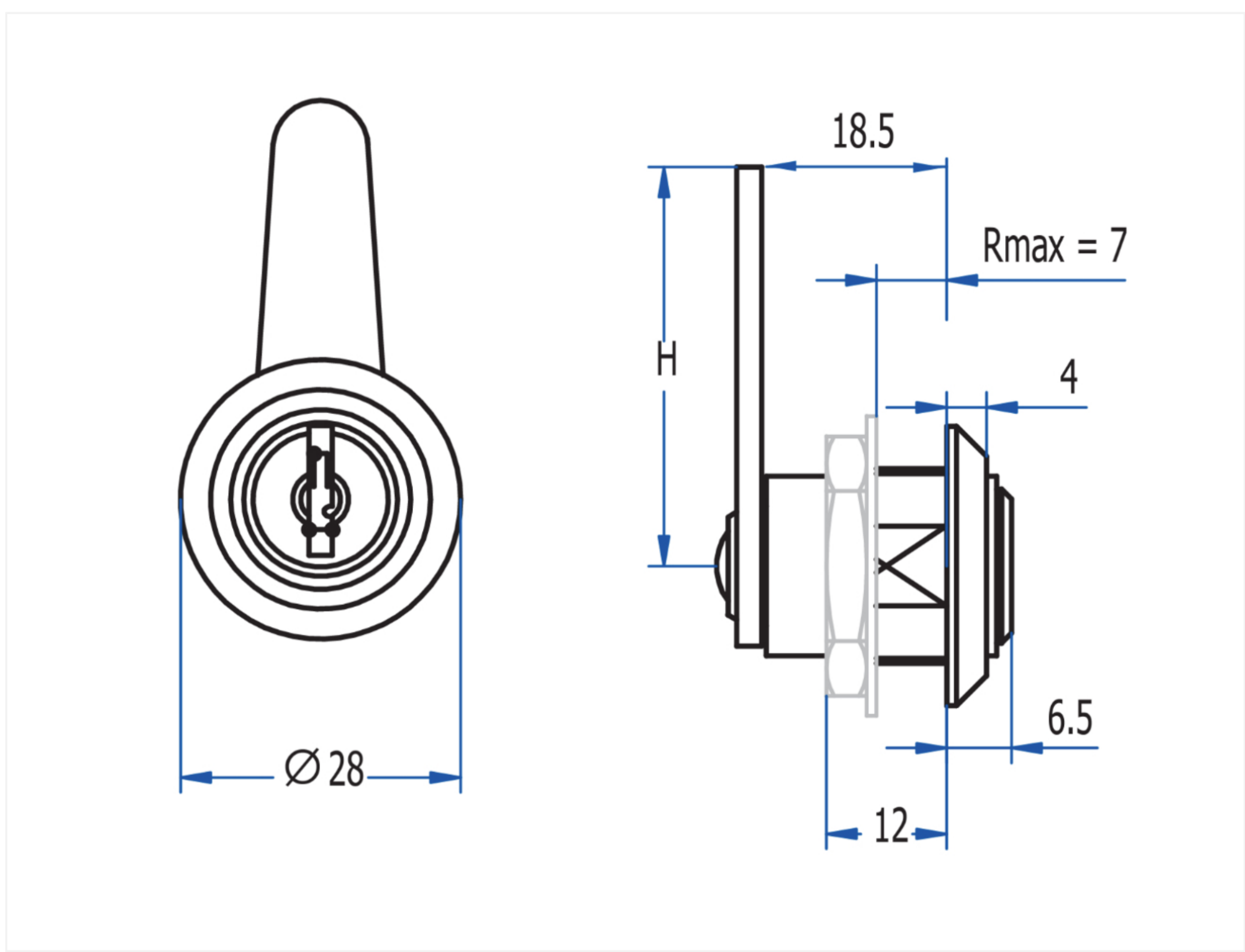
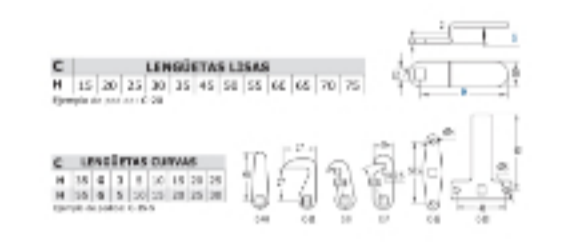
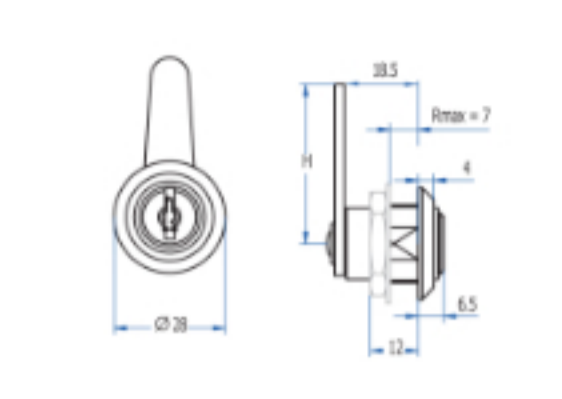


Home > General Industry > Locking systems > Latches and locks > M22 reed locks > [M22 345 Cam Lock](#)



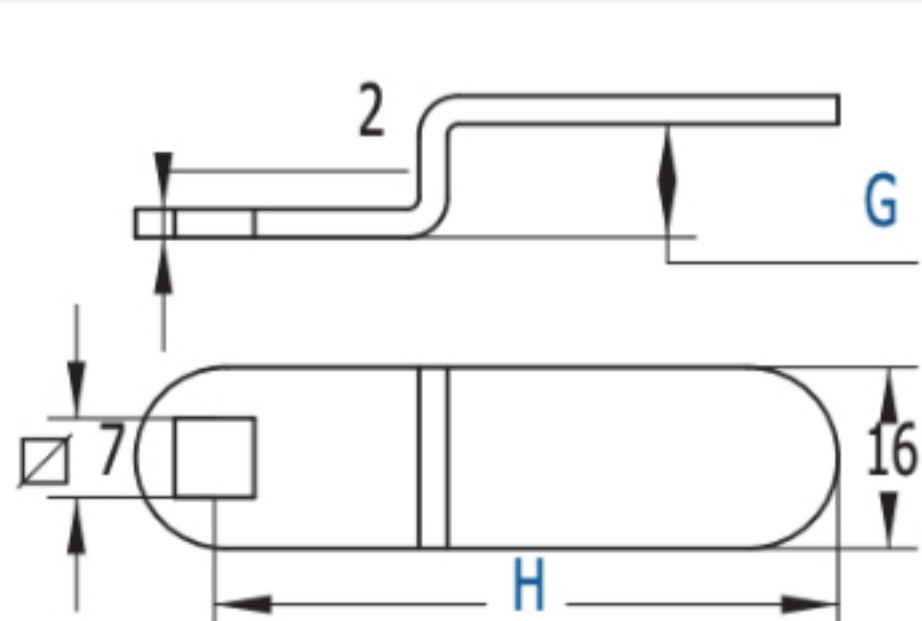
Otros Accesorios:



Tapa protectora
Accesorios: página 63.

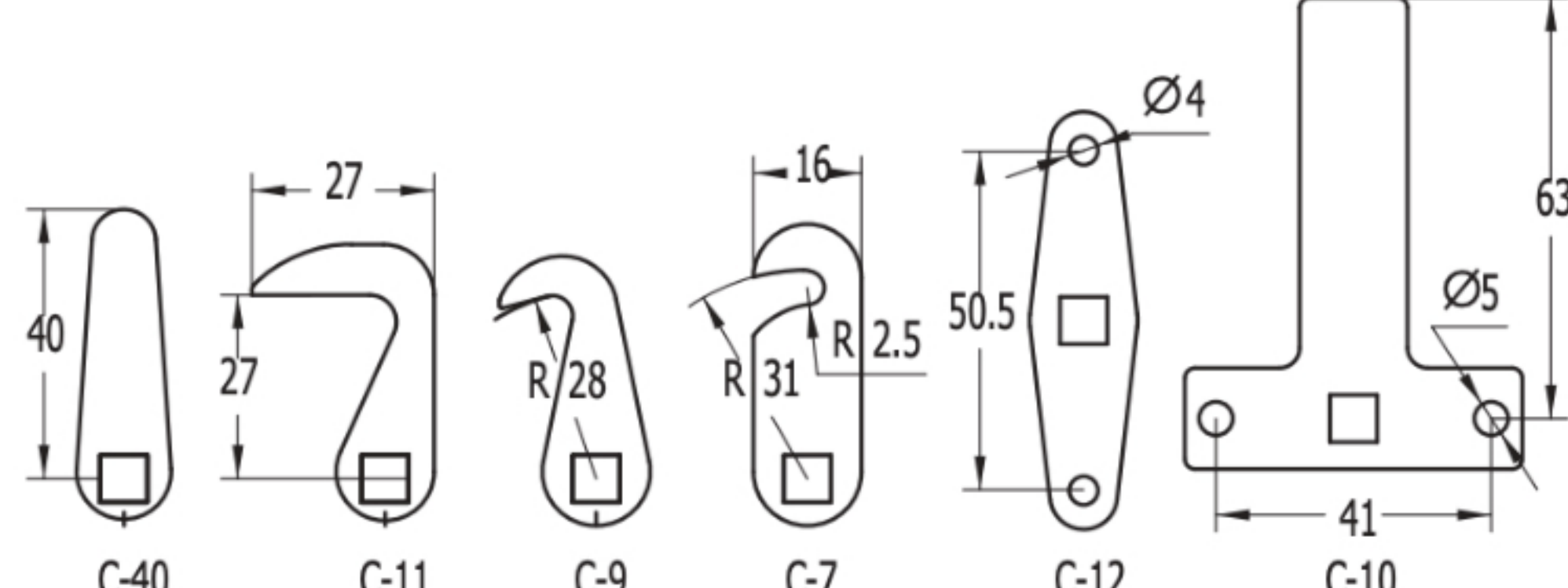
C	LENGÜETAS LISAS											
H	15	20	25	30	35	45	50	55	60	65	70	75

Ejemplo de pedido: C-20



C	LENGÜETAS CURVAS							
H	35	G	3	5	10	15	20	25
H	55	G	5	10	15	20	25	30

Ejemplo de pedido: C-35-5



M22 345 Cam Lock

Quarter turn cam lock for door with thickness up to 7mm, locking direction, clockwise, counter clockwise, and key removable positions, opened and locked. Same code locks groups option available.

KEYMODEL	Series 500 or 900
MATERIAL	Zamak
FINISH	Chromium plated, Black
Nº OF COMBINATIONS	208
WEIGHT(grs)	78
LOCKING DIRECTION	90° Right / Left
ACCESORIES	M22 Nut, M22 metallic washer, M22 plastic washer

Categories: [General Industry](#), [Latches and locks](#), [Locking systems](#), [M22 reed locks](#)



