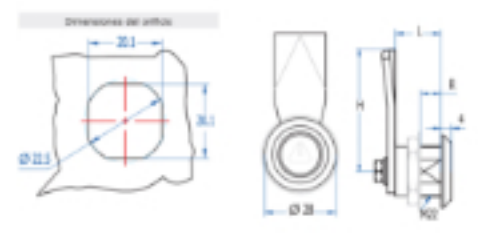
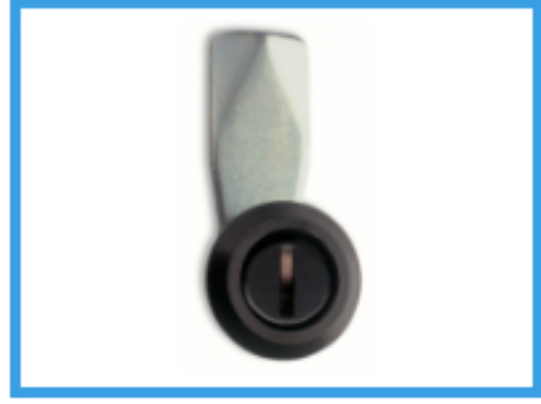


Home > General Industry > Locking systems > Latches and locks > M22 quarter-turn fasteners > [M22 406 Quarter Turn Latches](#)



M22 406 Quarter Turn Latches

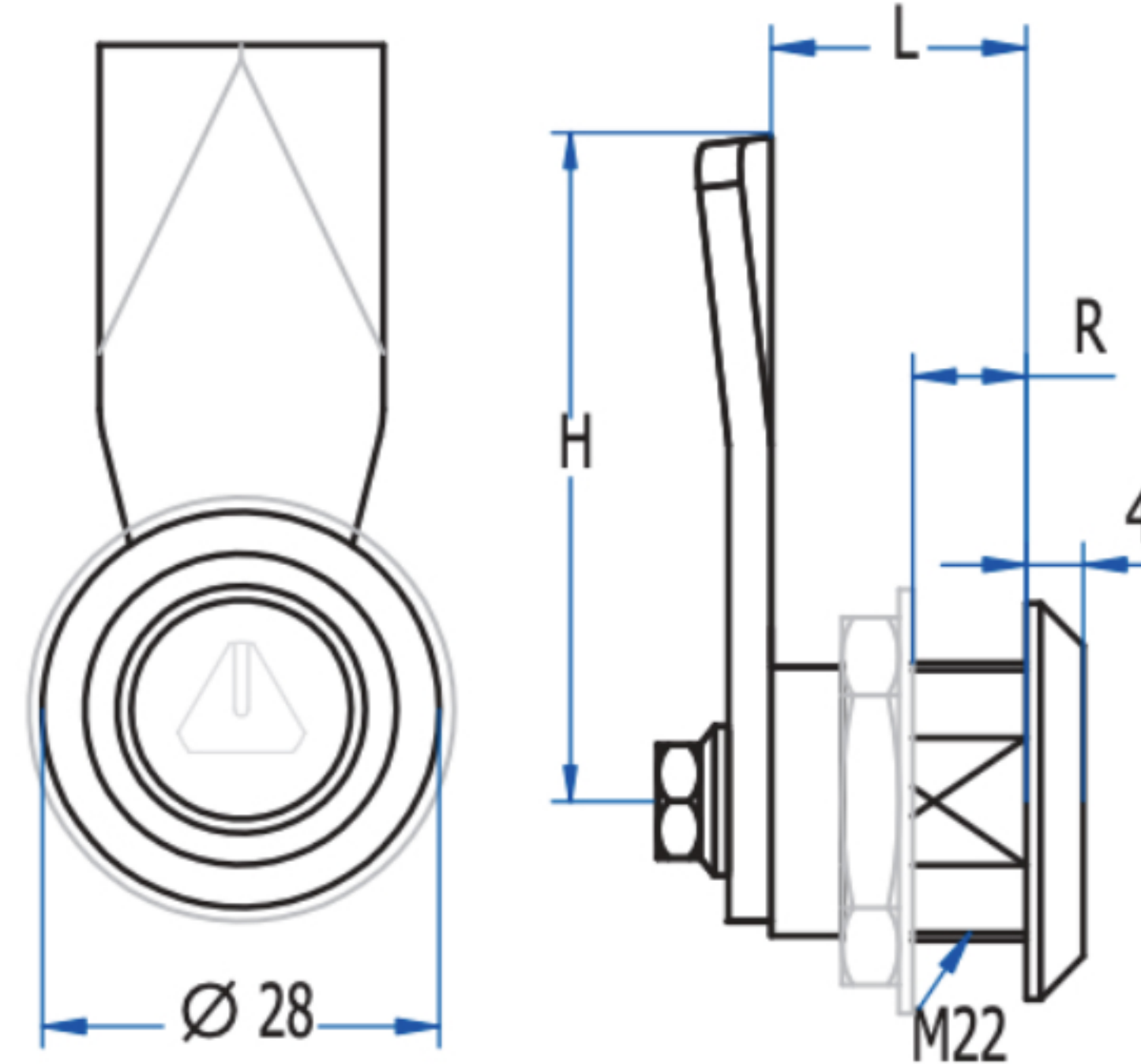
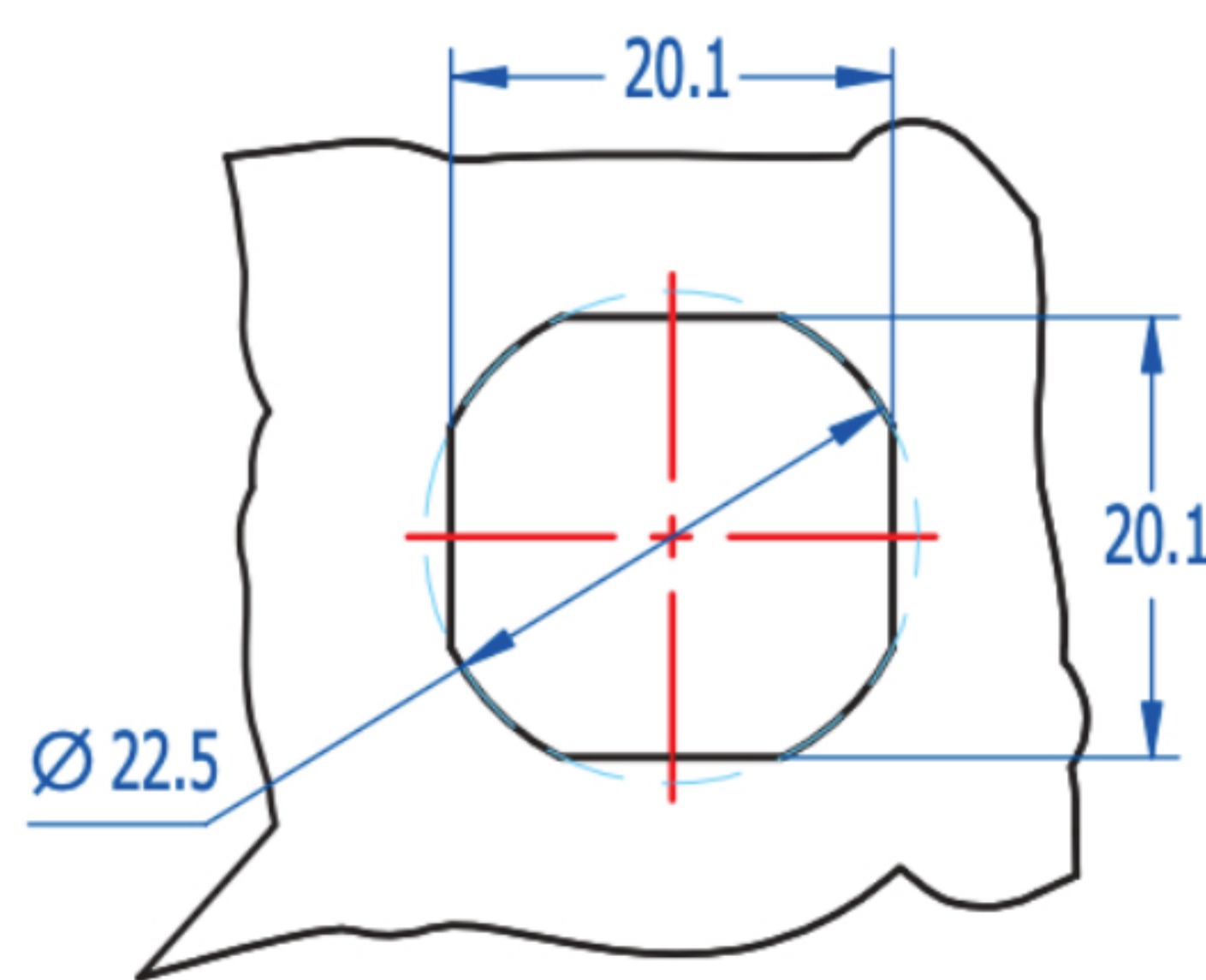


Quarter turn latches for doors with a thickness between 6 and 57mm (see R). Designed for use in harsh climate conditions or when IP-rating is required.

AGA supplies as standard L=18mm, R=6 or 8mm, with Z-150 cam and without key except in the model 400, which is supplied with 59DP or 8705 key model (page 9). Further measurements upon request.

KEY FORM	Slot
MATERIAL	Black polyamide (fireproof)
FINISH (zamak)	-
FEATURES	L = 18 mm / R = 6 mm
WEIGHT(grams)	46
LOCKING DIRECTION	90° Left/Right
IP-RATING	-
ACCESORIES	M22 Nut, M22 metallic washer, M22 plastic washer
KEY	-

Dimensiones del orificio

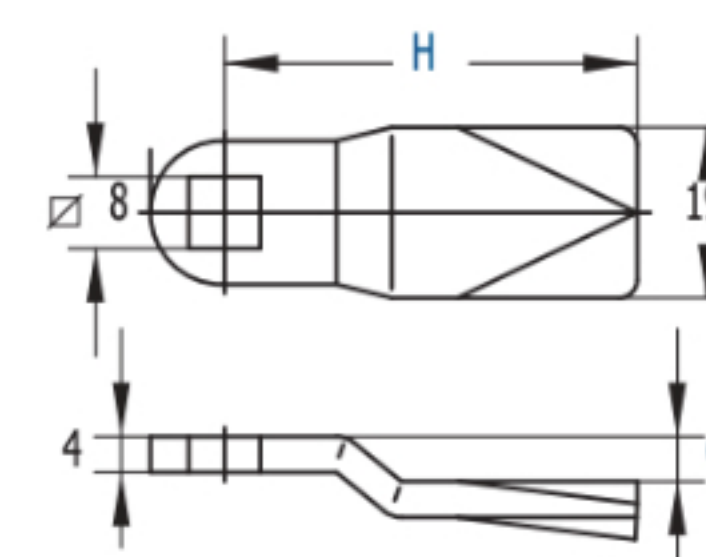


Otros Accesorios:



Tapa protectora
Accesorios: página 63.

	LENGÜETAS							
Z	Z150	Z151	Z152	Z153	Z157	Z158	Z159	Z160
H	47	52	57	62	47	47	47	47
G	-	-	-	-	5	10	15	20



Categories: [General Industry](#), [Latches and locks](#), [Locking systems](#), [M22 quarter-turn fasteners](#)

