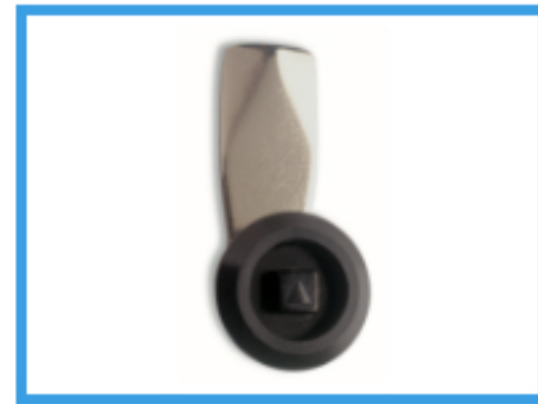


Home > General Industry > Locking systems > Latches and locks > M22 quarter-turn fasteners > [M22 407 Quarter Turn Latches](#)



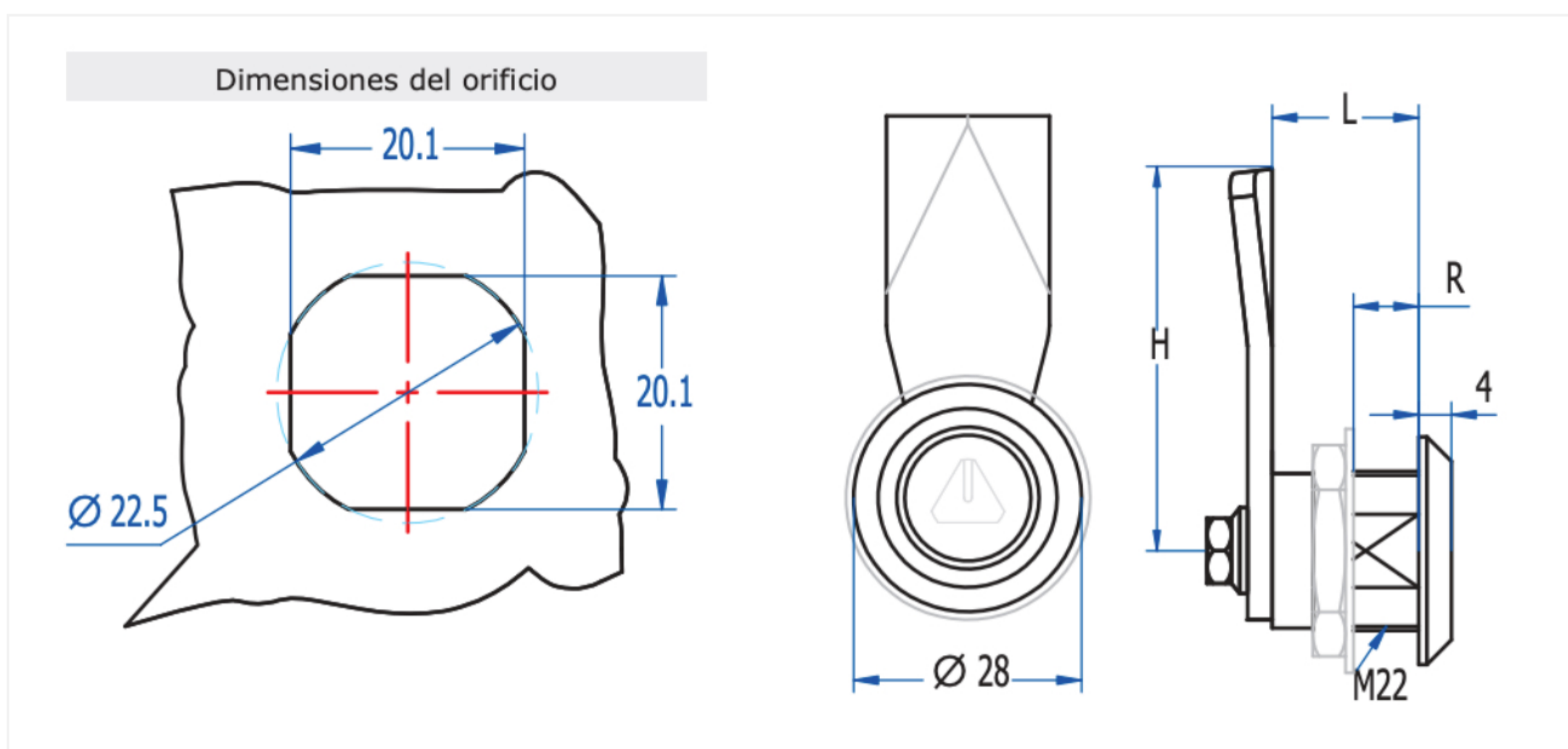
M22 407 Quarter Turn Latches



Quarter turn latches for doors with a thickness between 6 and 57mm (see R). Designed for use in harsh climate conditions or when IP-rating is required.

AGA supplies as standard L=18mm, R=6 or 8mm, with Z-150 cam and without key except in the model 400, which is supplied with 59DP or 8705 key model (page 9). Further measurements upon request.

KEY FORM	Square 8 mm
MATERIAL	Black polyamide (fireproof)
FINISH (zamak)	-
FEATURES	L = 18 mm / R = 6 mm
WEIGHT(grams)	46
LOCKING DIRECTION	90° Left/Right
IP-RATING	-
ACCESORIES	M22 Nut, M22 metallic washer, M22 plastic washer
KEY	3018C



Otros Accesorios:



Tapa protectora
Accesorios: página 63.

LENGÜETAS								
Z	Z150	Z151	Z152	Z153	Z157	Z158	Z159	Z160
H	47	52	57	62	47	47	47	47
G	-	-	-	-	5	10	15	20

Categories: [General Industry](#), [Latches and locks](#), [Locking systems](#), [M22 quarter-turn fasteners](#)

