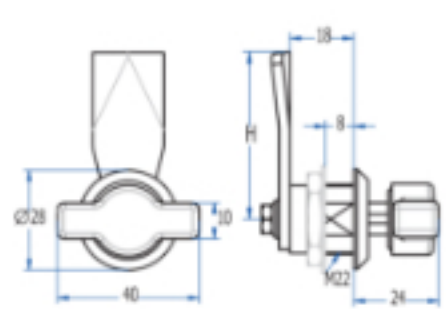


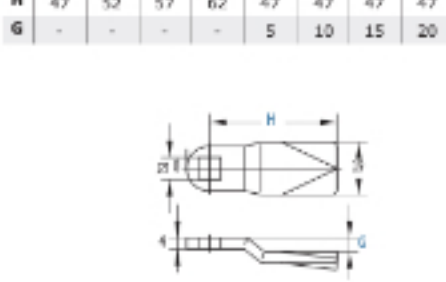
Home > General Industry > Locking systems > Latches and locks > M22 quarter-turn fasteners > [M22 408 Quarter Turn Latches](#)



Dimensiones del orificio



LENGÜETAS



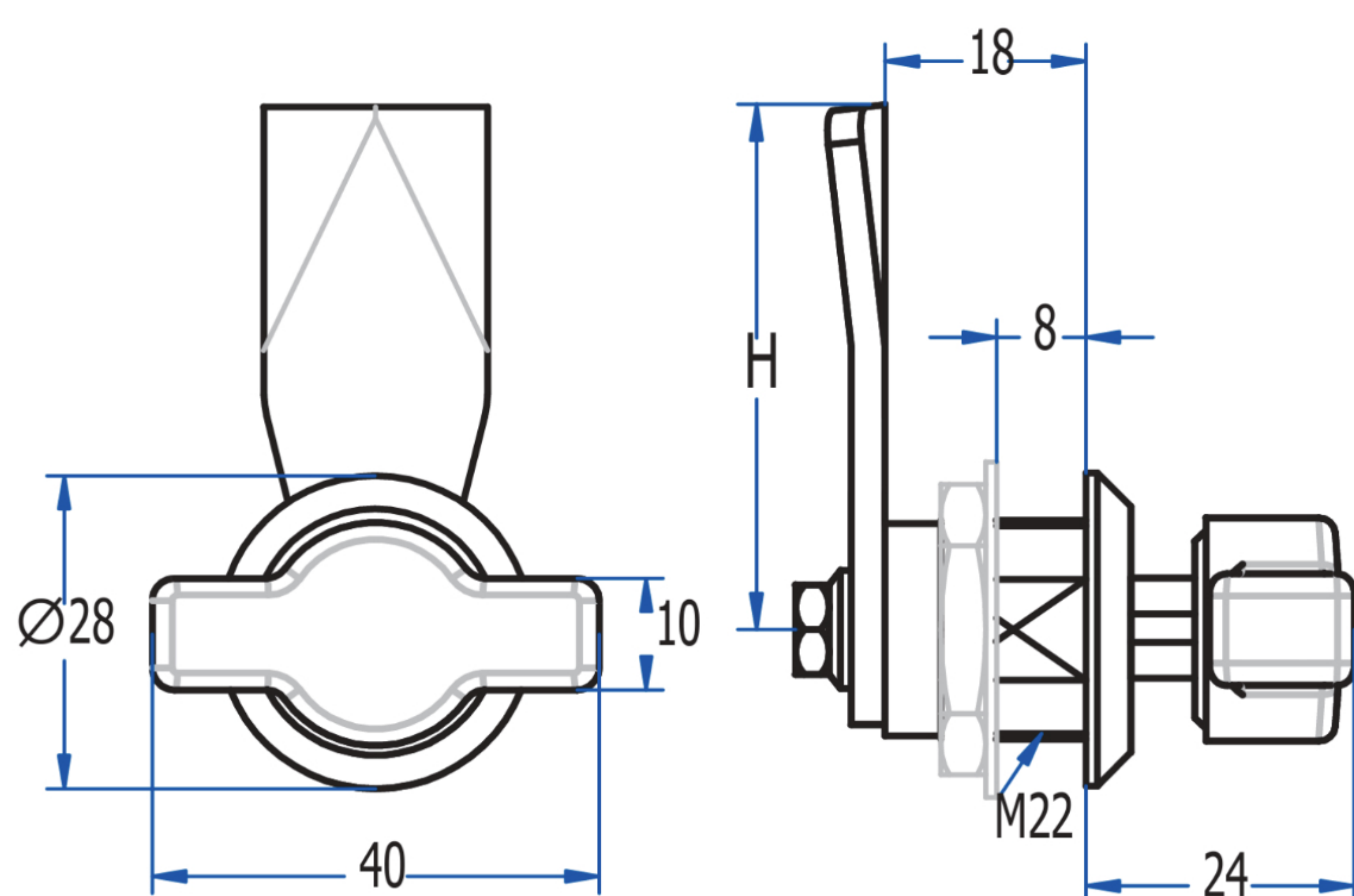
## M22 408 Quarter Turn Latches

Quarter turn wing knob latch for door with thickness up to 8mm. Designed for use in harsh climate conditions.

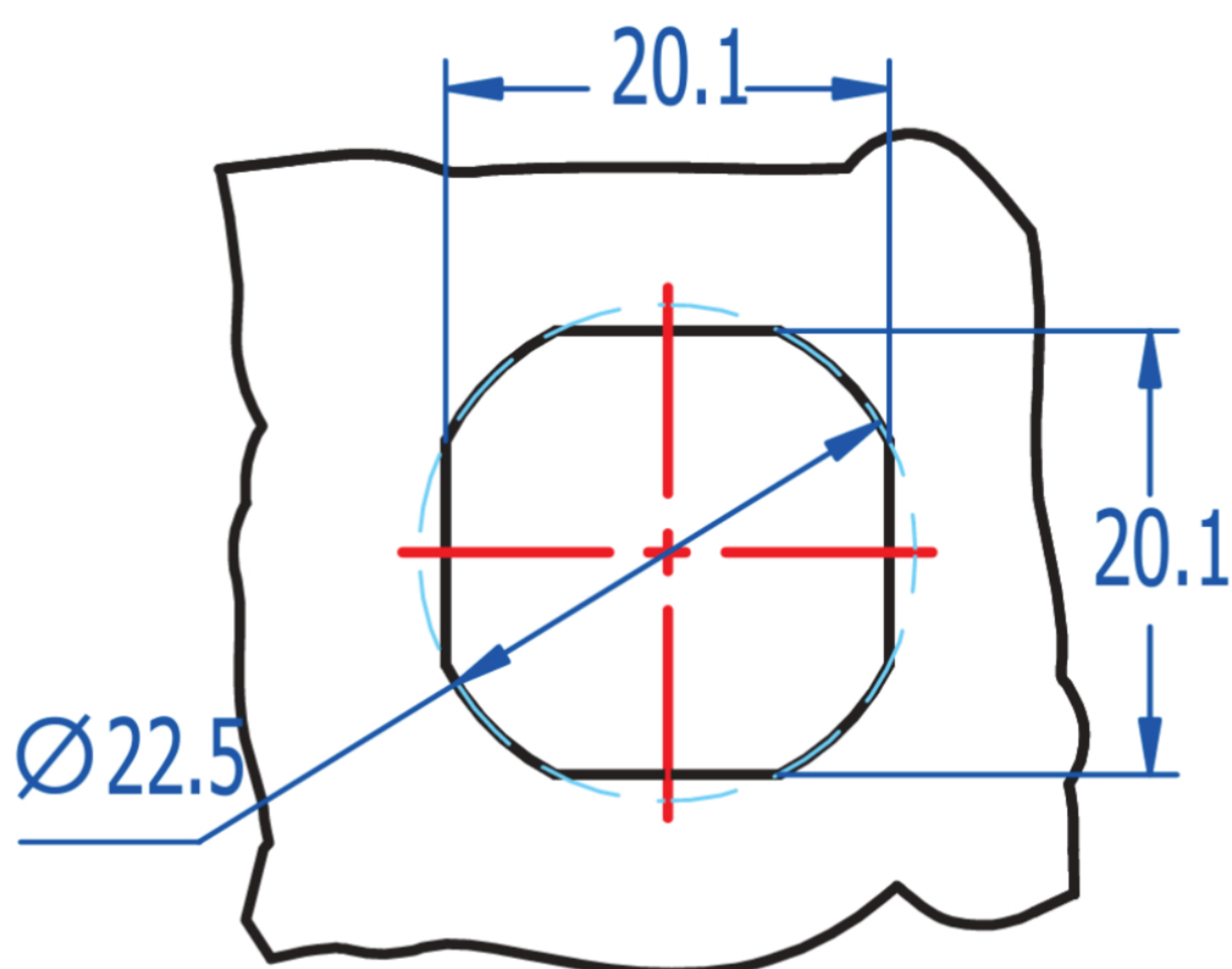


KEY FORM	Wing knob
MATERIAL	Black polyamide
WEIGHT(grams)	60
LOCKING DIRECTION	90° Left/Right
ACCESSORIES	M22 Nut, M22 metallic washer, M22 plastic washer

Categories: [General Industry](#), [Latches and locks](#), [Locking systems](#), [M22 quarter-turn fasteners](#)



### Dimensiones del orificio



### LENGÜETAS

Z	Z150	Z151	Z152	Z153	Z157	Z158	Z159	Z160
H	47	52	57	62	47	47	47	47
G	-	-	-	-	5	10	15	20

