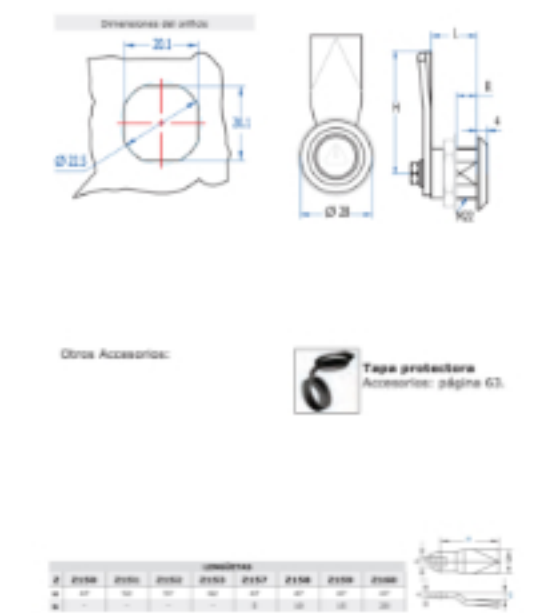


Home > General Industry > Locking systems > Latches and locks > M22 quarter-turn fasteners > [M22 486 Quarter Turn Latches](#)



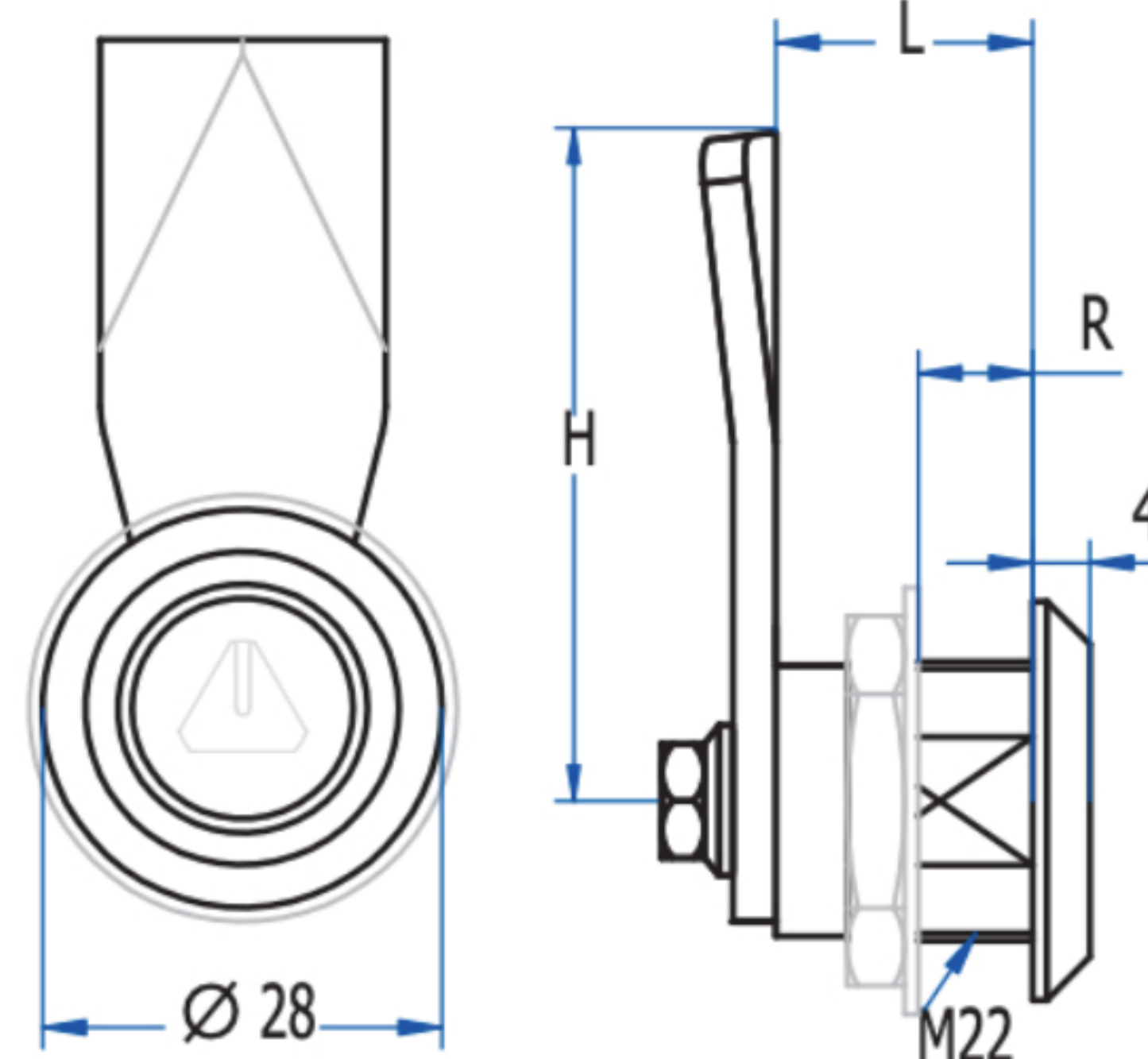
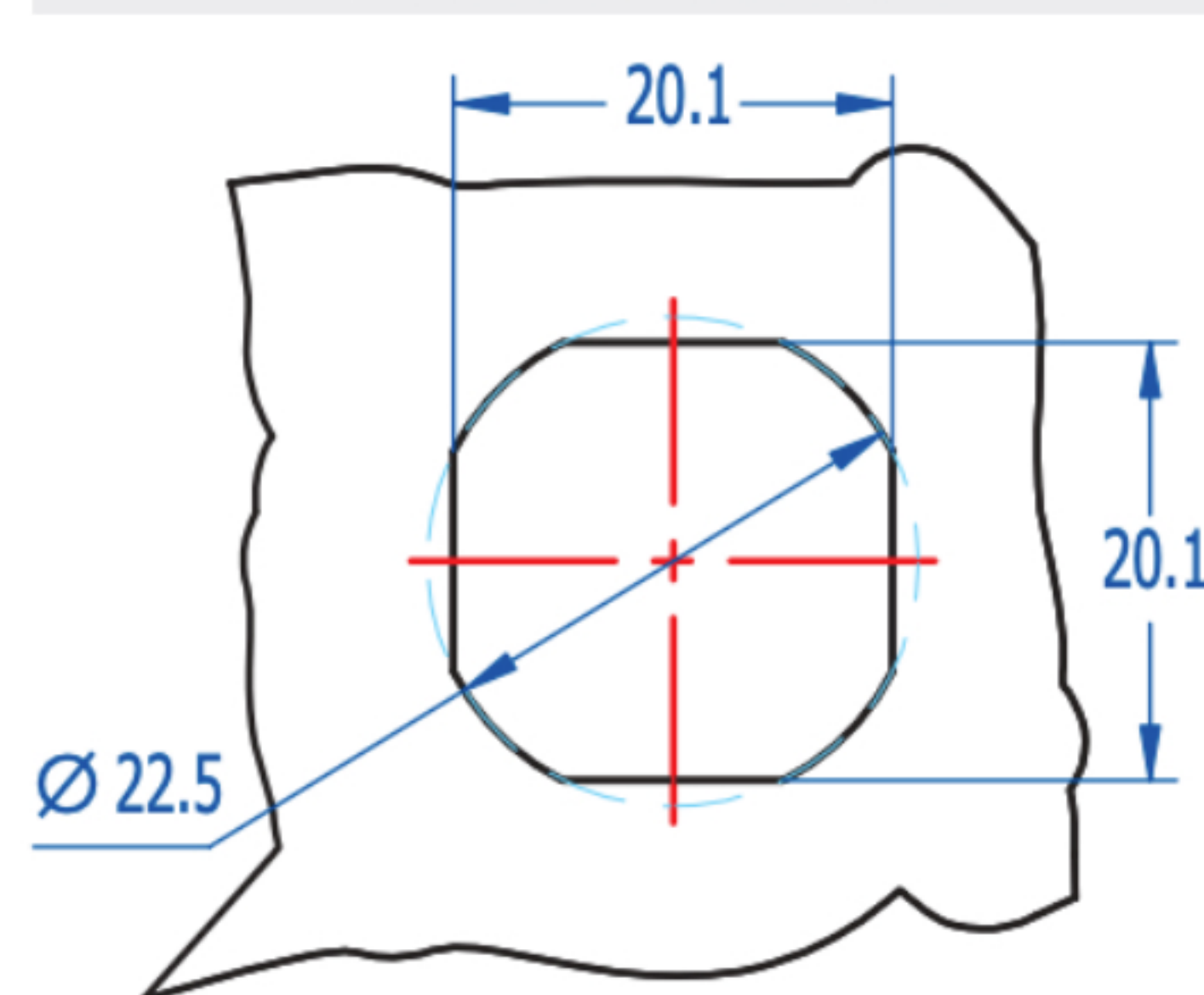
M22 486 Quarter Turn Latches

Quarter turn latches for doors with a thickness between 6 and 57mm (see R). Designed for use in harsh climate conditions or when IP-rating is required.

AGA supplies as standard L=18mm, R=6 or 8mm, with Z-150 cam and without key except in the model 400, which is supplied with 59DP or 8705 key model (page 9). Further measurements upon request.

| | |
|-------------------|---|
| KEY FORM | Slot |
| MATERIAL | Zamak |
| FINISH (zamak) | Chromium plated, Black |
| FEATURES | L = 18 mm / R = 8 mm L = 28 mm / R = 18 mm L = 36 mm / R = 26 mm L = 62 mm / R = 51 mm |
| WEIGHT(grs) | 76 |
| LOCKING DIRECTION | 90° Left/Right |
| IP-RATING | (IP66) |
| ACCESORIES | M22 Nut, M22 metallic washer, M22 plastic washer |
| KEY | - |

Dimensiones del orificio

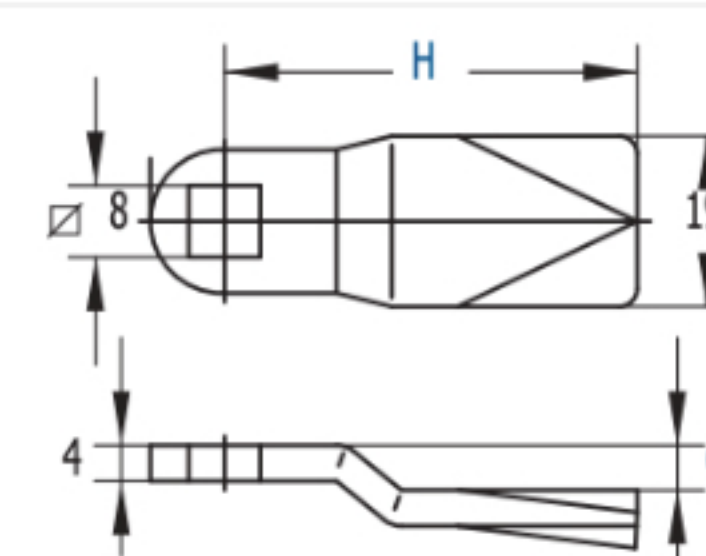


Otros Accesorios:



Tapa protectora
Accesorios: página 63.

| | LENGÜETAS | | | | | | | |
|---|-----------|------|------|------|------|------|------|------|
| Z | Z150 | Z151 | Z152 | Z153 | Z157 | Z158 | Z159 | Z160 |
| H | 47 | 52 | 57 | 62 | 47 | 47 | 47 | 47 |
| G | - | - | - | - | 5 | 10 | 15 | 20 |



Categories: [General Industry](#), [Latches and locks](#), [Locking systems](#), [M22 quarter-turn fasteners](#)