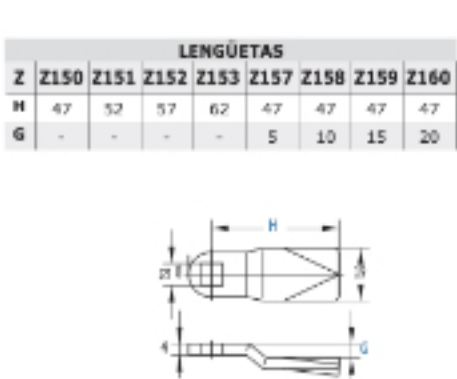
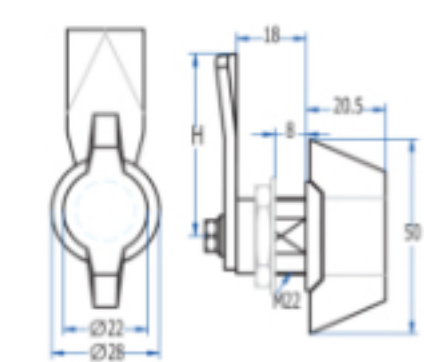


Home > General Industry > Locking systems > Latches and locks > M22 quarter-turn fasteners > [M22 631 Quarter Turn Latches](#)

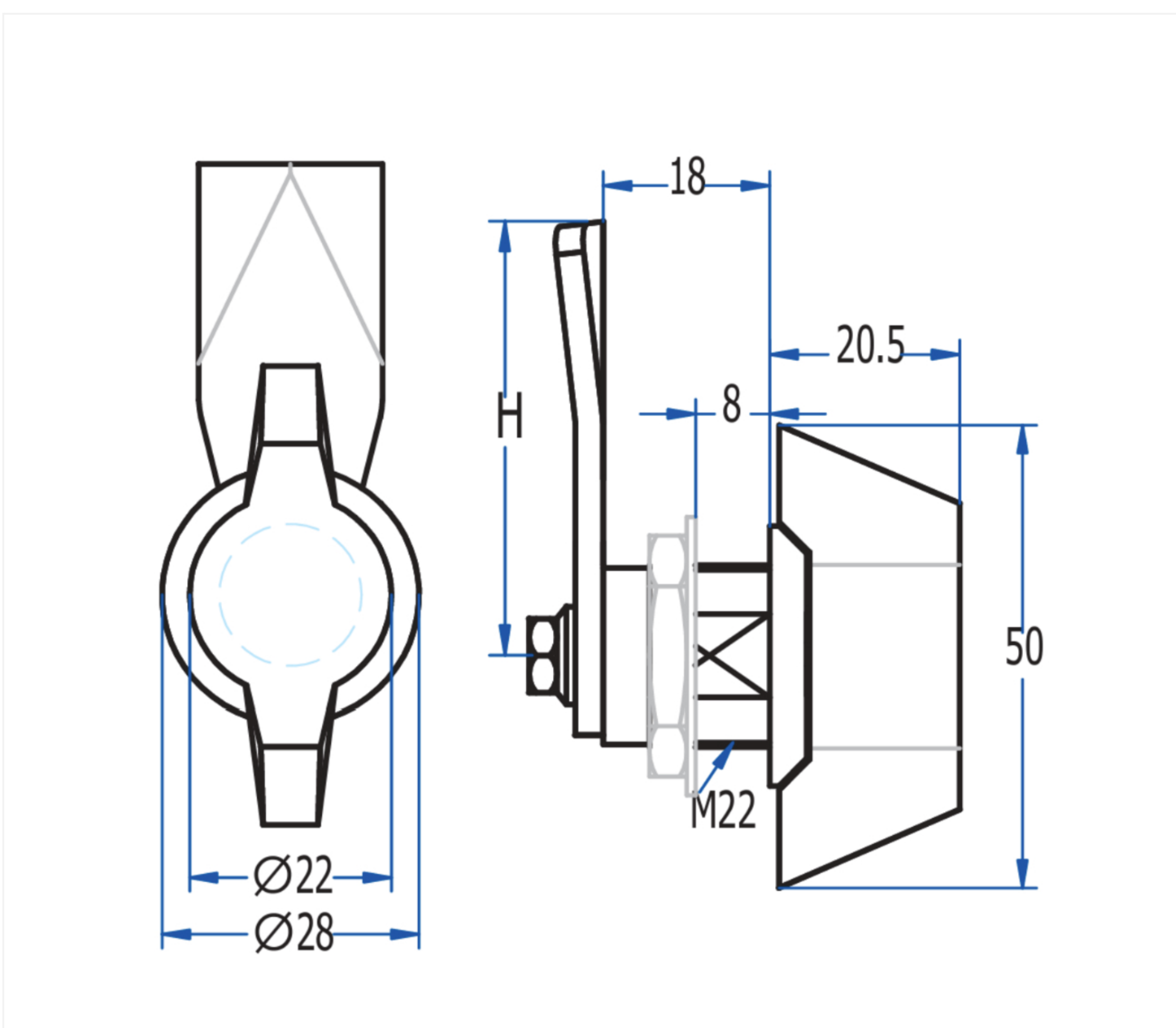


## M22 631 Quarter Turn Latches

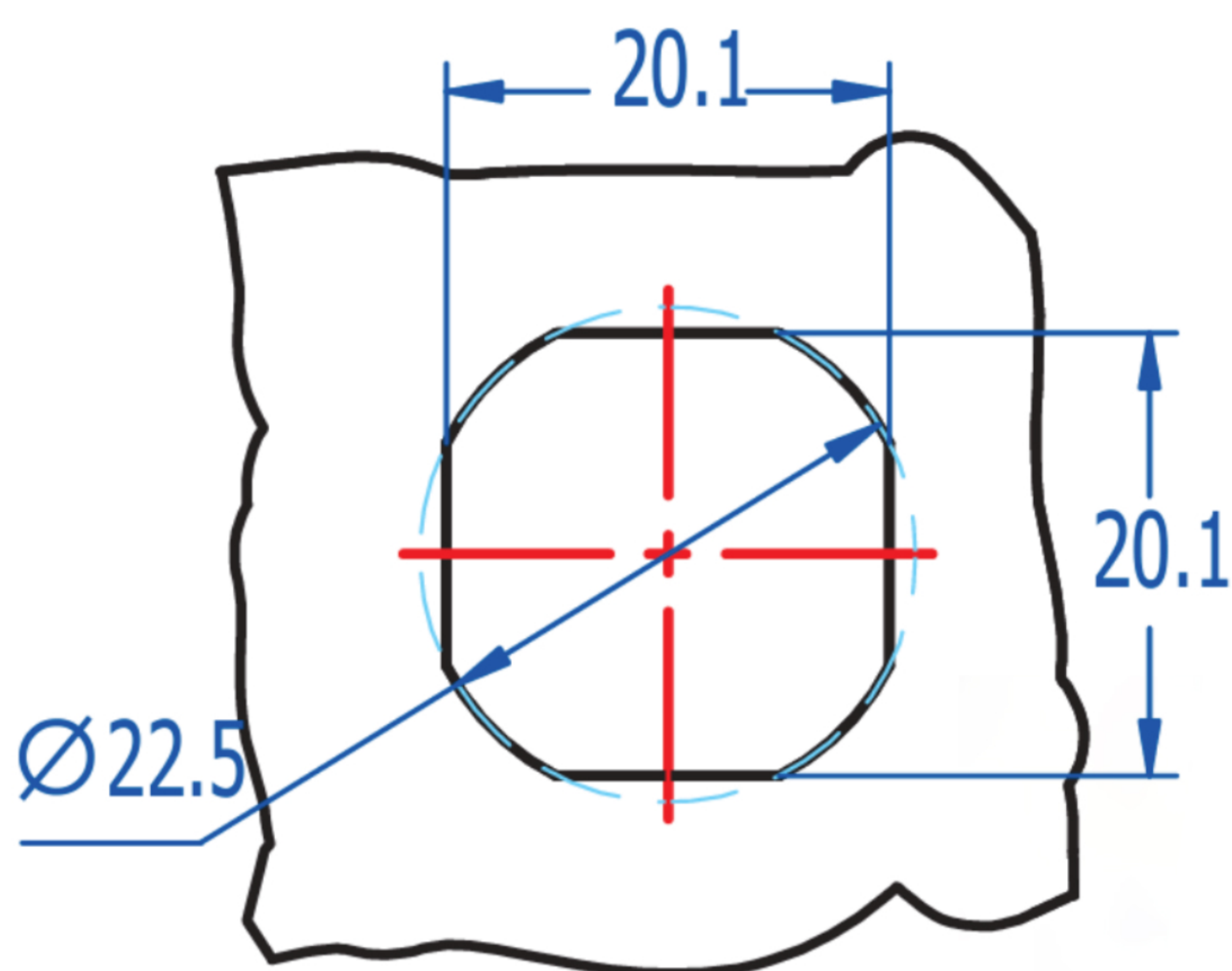
Quarter turn wing knob for door with thickness up to 8mm, locking direction, clockwise, counter clockwise, and key removable positions, opened and locked. Same code locks groups option available.



KEY FORM	Standard key
MATERIAL	Zamak
FINISH	Black
Nº COMBINATIONS	208
WEIGHT(grams)	142
LOCKING DIRECTION	90° Left / 90° Right
ACCESORIES	M22 Nut, M22 plastic washer

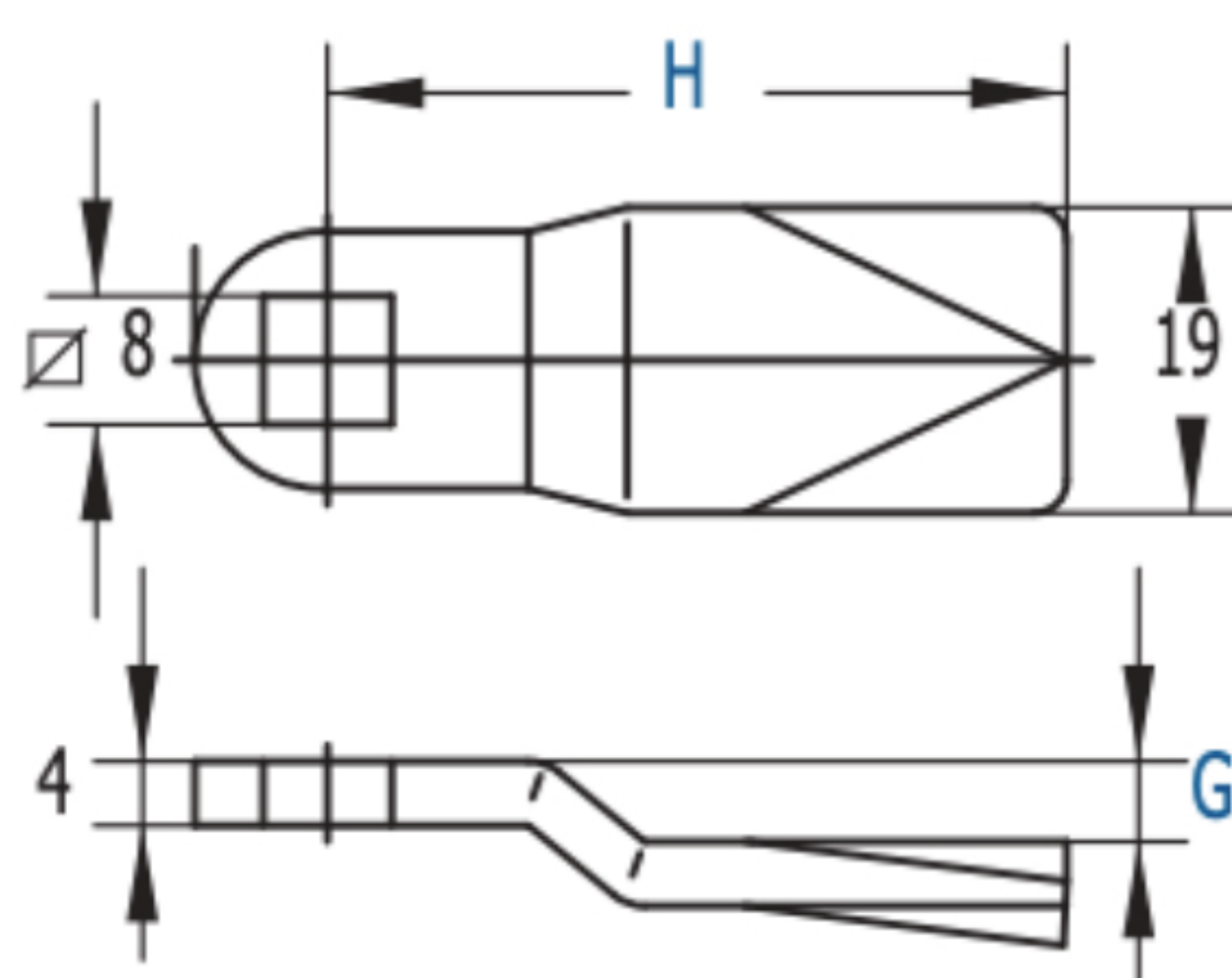


### Dimensiones del orificio



### LENGÜETAS

Z	Z150	Z151	Z152	Z153	Z157	Z158	Z159	Z160
H	47	52	57	62	47	47	47	47
G	-	-	-	-	5	10	15	20



Categories: [General Industry](#), [Latches and locks](#), [Locking systems](#), [M22 quarter-turn fasteners](#)

