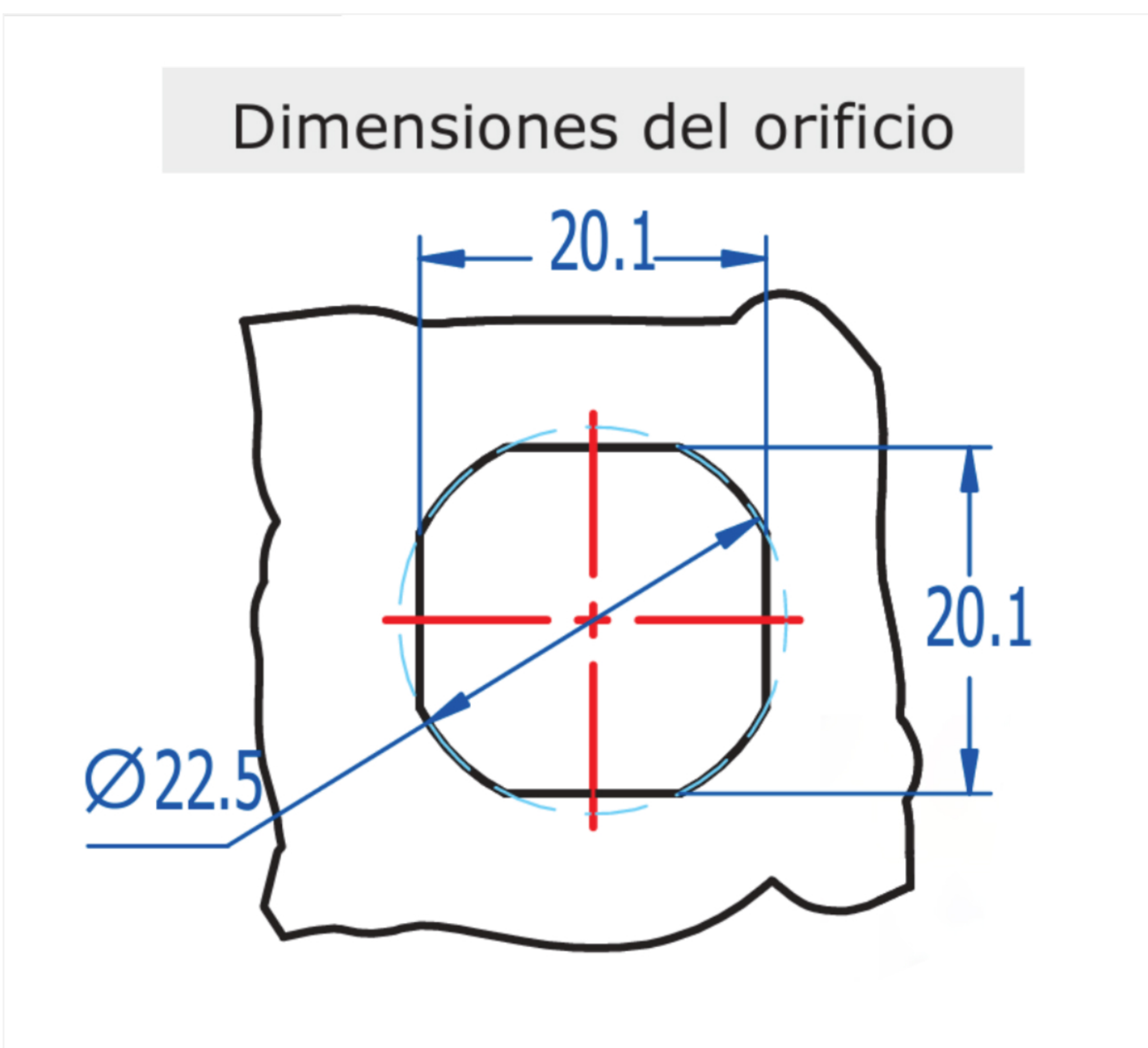
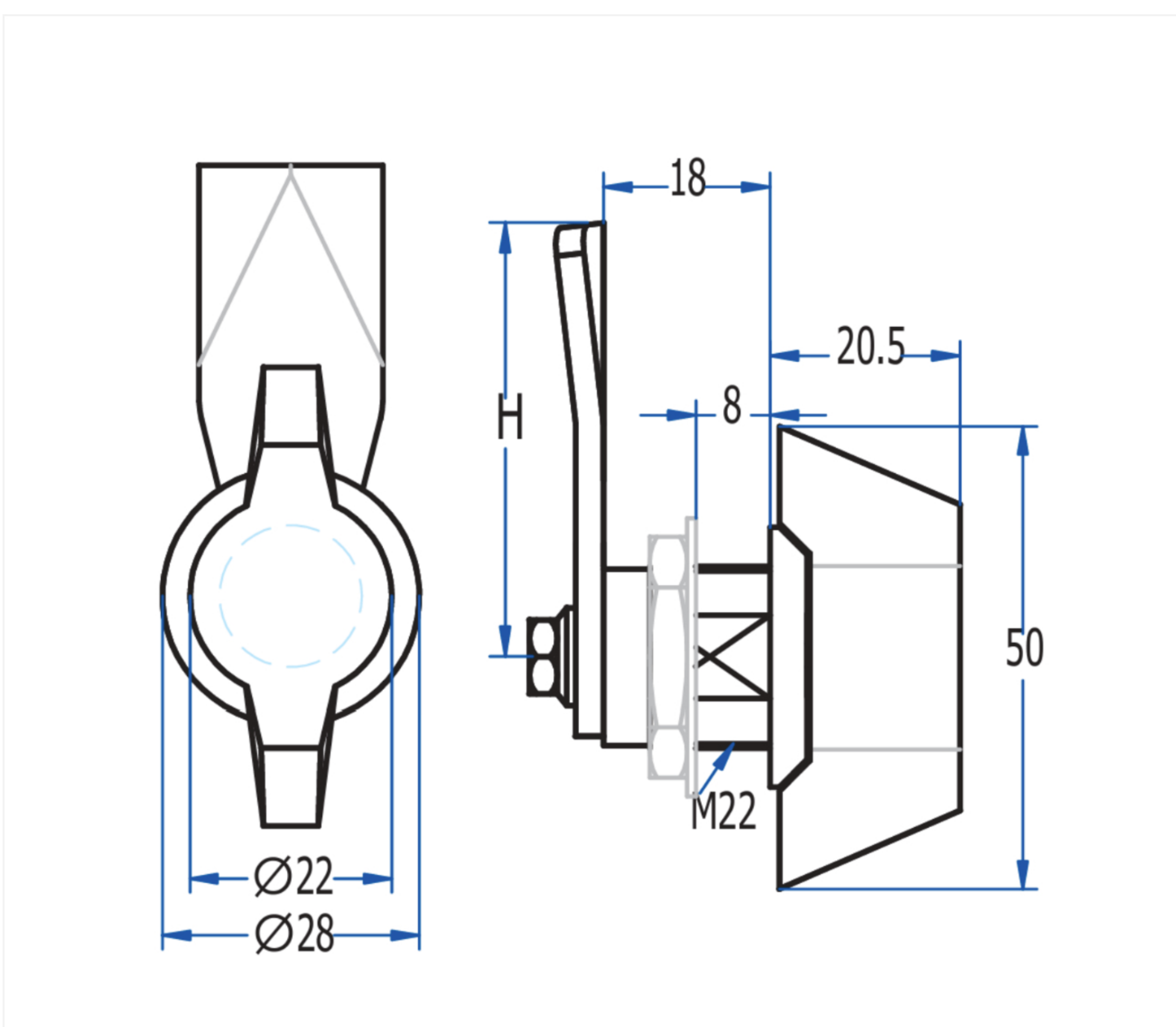
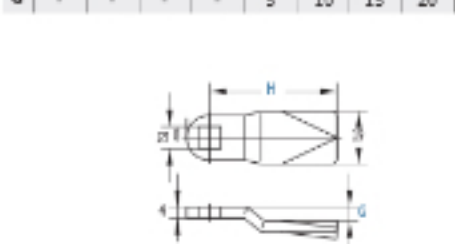
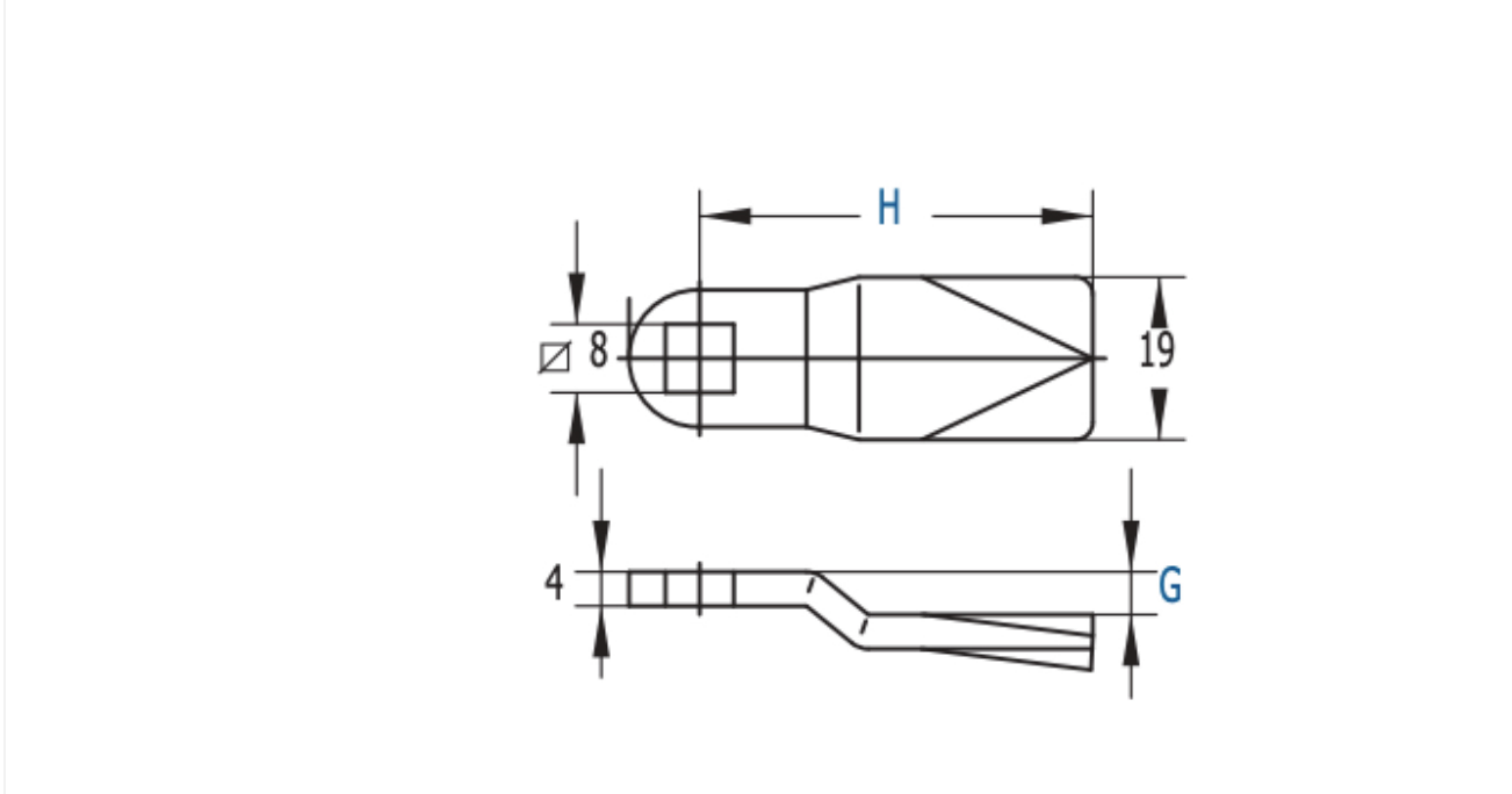


Dimensiones del orificio



LENGÜETAS								
Z	Z150	Z151	Z152	Z153	Z157	Z158	Z159	Z160
H	47	52	57	62	47	47	47	47
G	-	-	-	-	5	10	15	20



## M22 638 Quarter Turn Latches



Quarter turn wing knob for door with thickness up to 8mm, locking direction, clockwise, counter clockwise, and key removable positions, opened and locked. Same code locks groups option available.

KEY FORM	Non locking/with turn
MATERIAL	Zamak
FINISH	Black
WEIGHT(grs)	166
LOCKING DIRECTION	90° Left / 90° Right
ACCESORIES	M22 Nut, M22 plastic washer

Categories: [General Industry](#), [Latches and locks](#), [Locking systems](#), [M22 quarter-turn fasteners](#)

