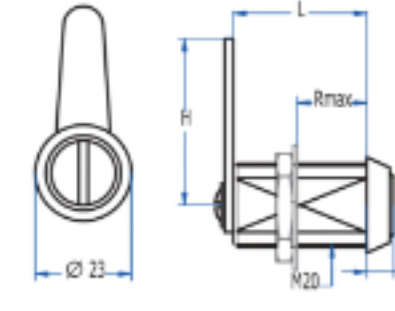
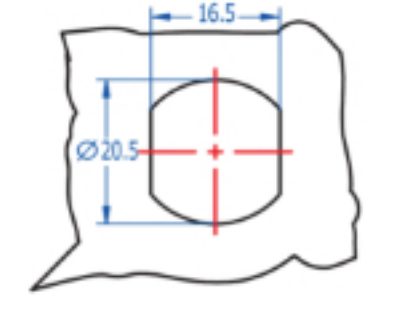


Home > General Industry > Locking systems > Latches and locks > M20 quarter-turn fasteners > [Miscellaneous M20 185M Quarter Turn Latches](#)



Dimensiones del orificio



Otros Accesorios:



## Miscellaneous M20 185M Quarter Turn Latches

LOCKING SYSTEM

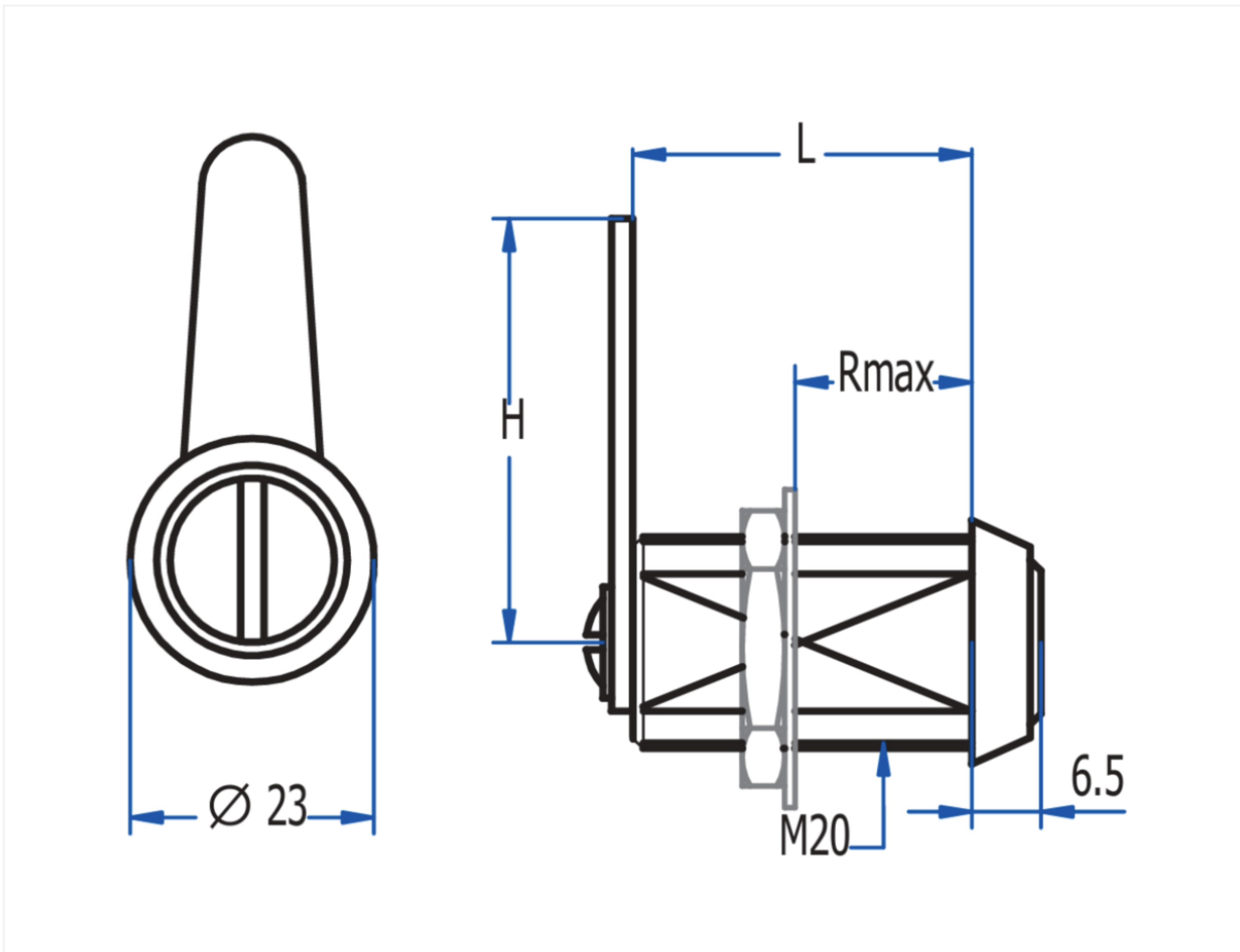
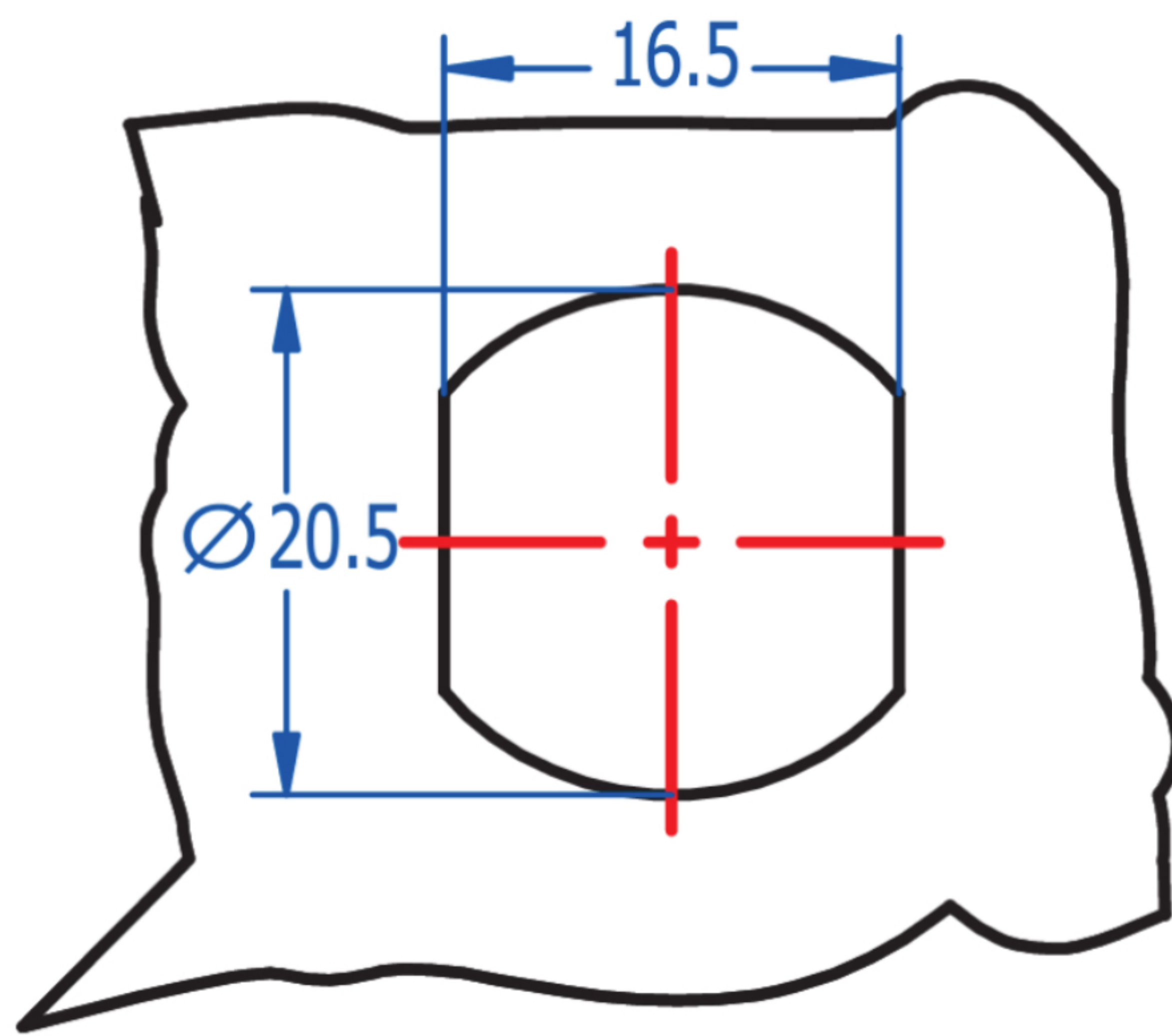
Basic latch to close small boxes, chests and light cabinets. The opening is performed by using a screwdriver or a coin.



KEY FORM	Slot
MATERIAL	Zamak
FINISH	Chromium plated, Black
FEATURES	L = 18,5 mm / R max.=5 mm
WEIGHT(grams)	44
Locking direction	180°Right / Left
ACCESORIES	M20 Nuts, Lock washer

Categories: [General Industry](#), [Latches and locks](#), [Locking systems](#), [M20 quarter-turn fasteners](#)

### Dimensiones del orificio



Otros Accesorios:



**Tirador 0013**  
Accesorios: página 63.

C	LENGÜETAS LISAS											
H	15	20	25	30	35	45	50	55	60	65	70	75

Ejemplo de pedido: C-20

### LENGÜETAS CURVAS

H	35	G	3	5	10	15	20	25
H	55	G	5	10	15	20	25	30

Ejemplo de pedido: C-35-5

