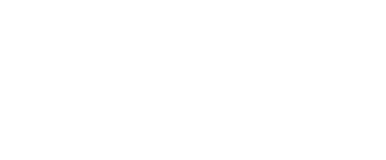
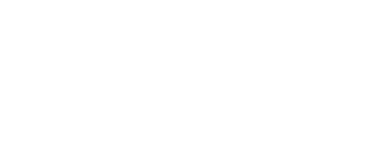
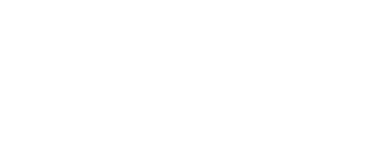
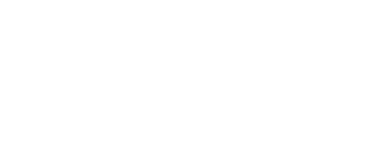
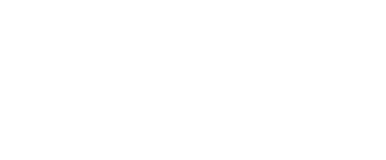
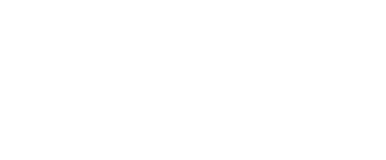
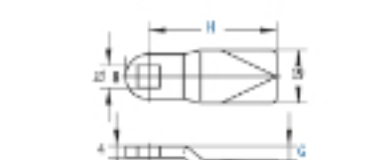
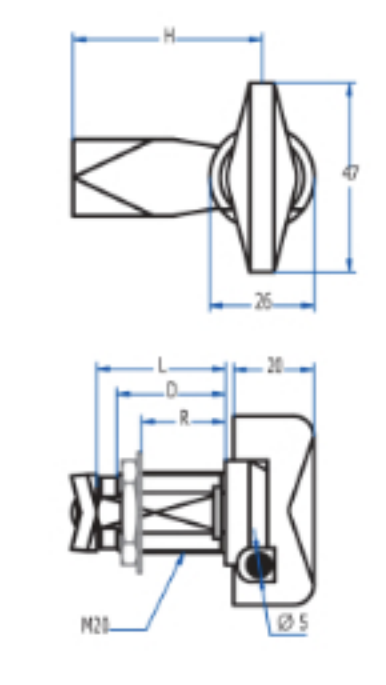
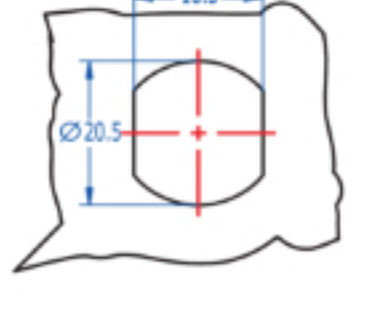




Dimensiones del orificio



Quarter Turn for Padlock M20 391M

LOCKING SYSTEM

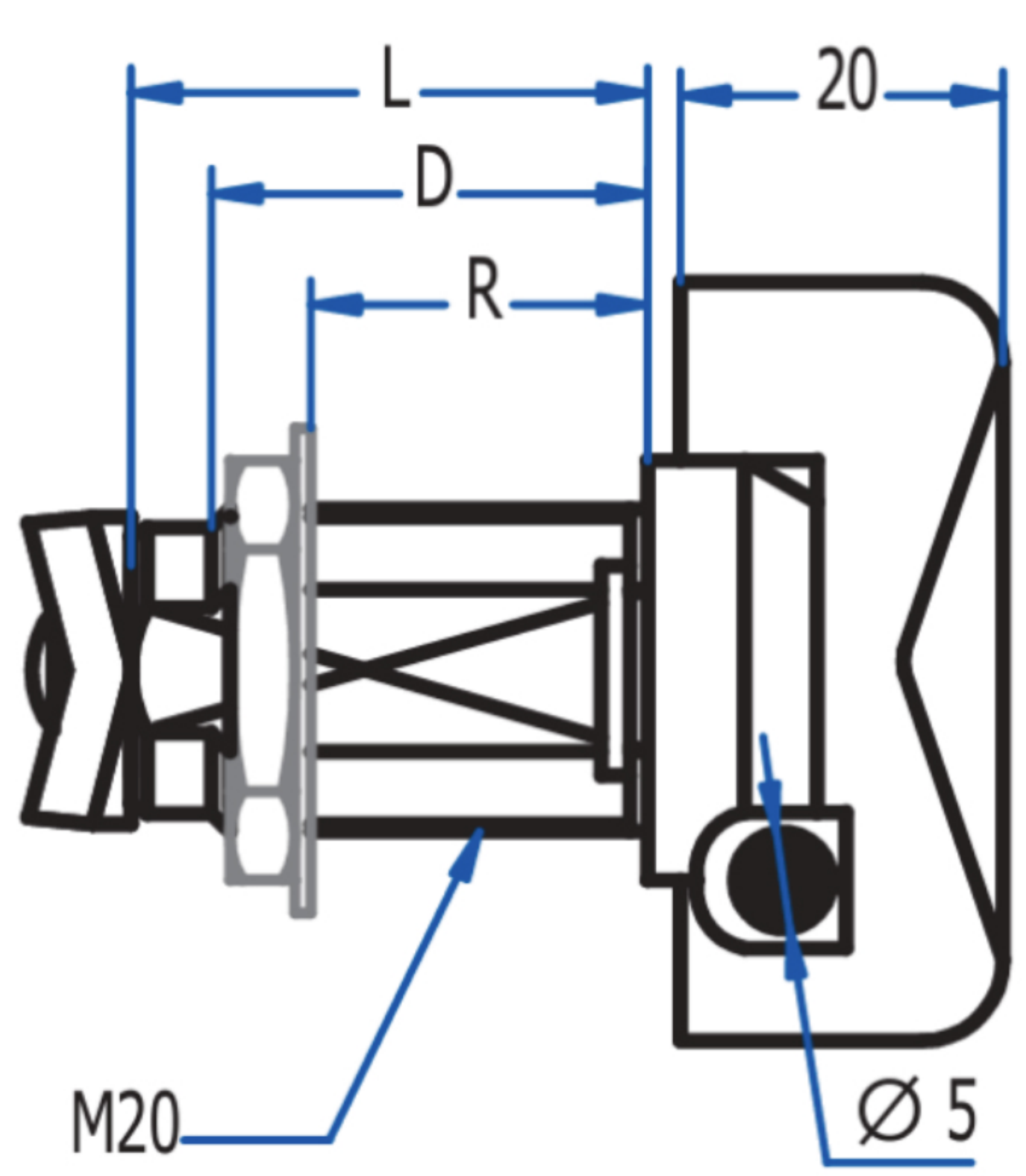
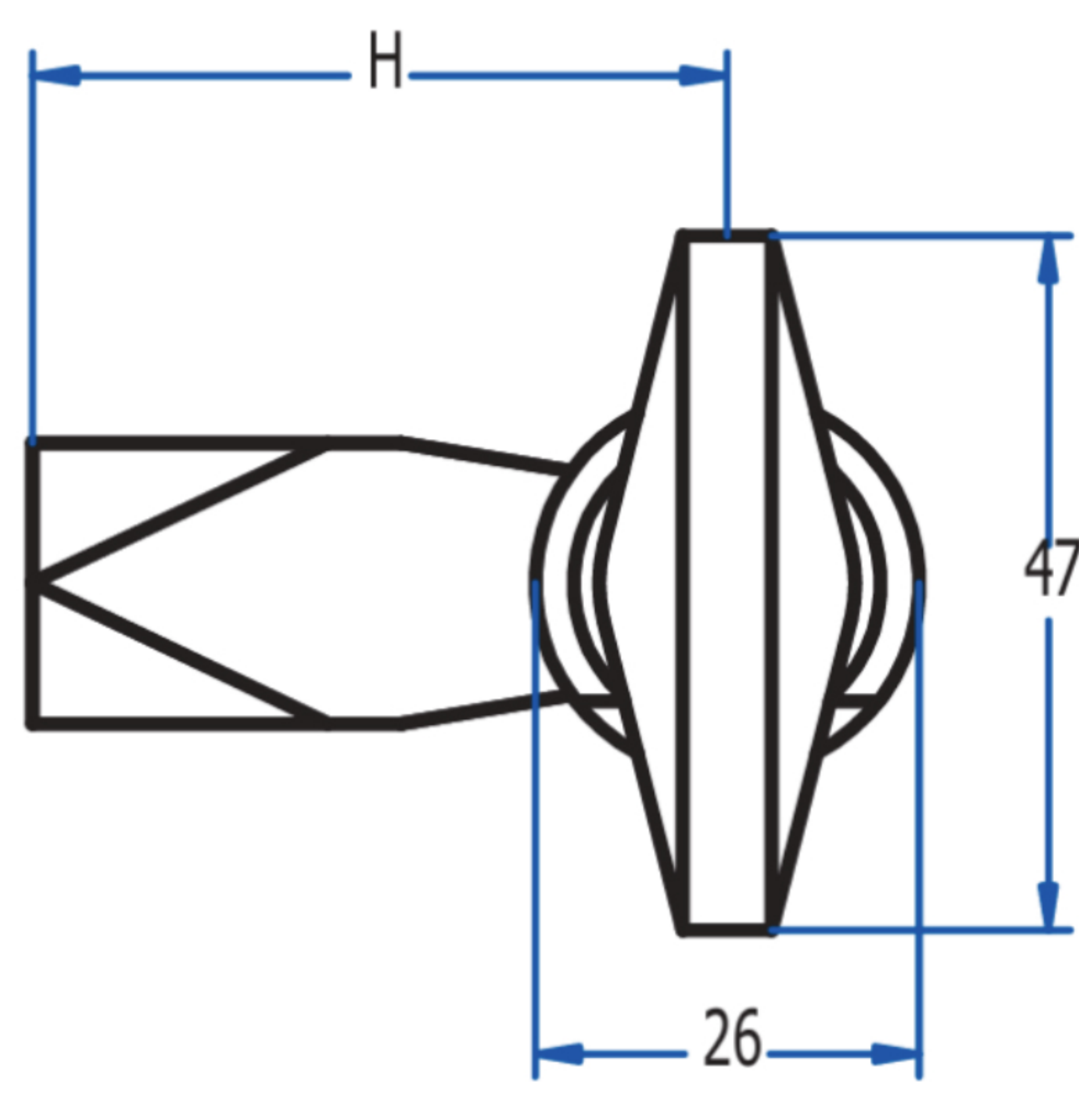
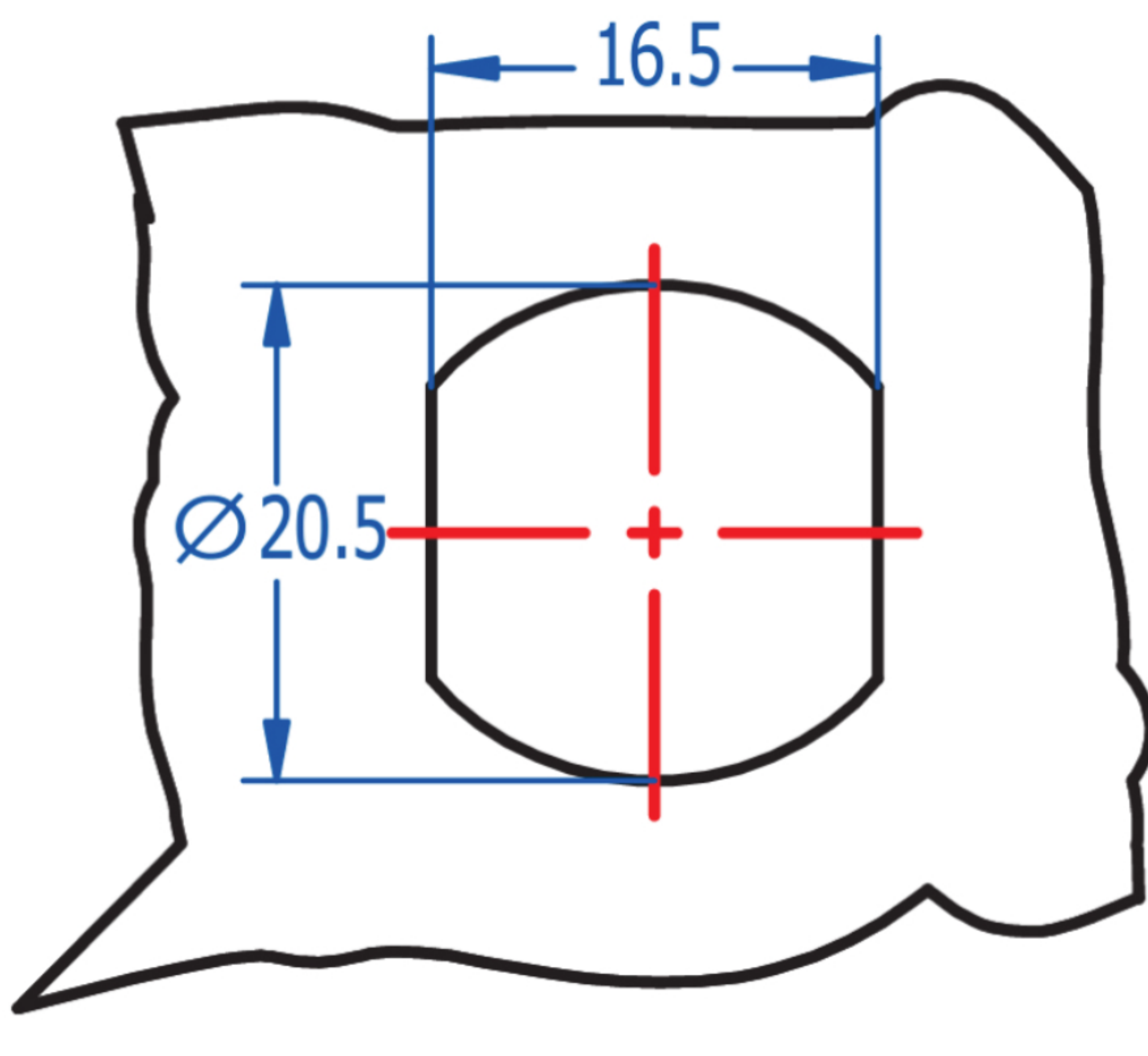
Quarter turn latches for padlock. The diameter for padlock shackle may be 5mm. Used in cabinets where the user changes, or to avoid access to unauthorised persons.



KEY FORM	Wing knob far padlock
MATERIAL	Zamak
FINISH	Chromium plated, Black
FEATURES	D = 27mm / R = 22mm / L = 32mm
WEIGHT(grams)	148
Locking direction	180°Right / Left
ACCESORIES	M20 Nuts, M20 metallic washer, Lock washer

Categories: [General Industry](#), [Latches and locks](#), [Locking systems](#), [M20 quarter-turn fasteners](#)

Dimensiones del orificio



Otros Accesorios:



Placa anti-giro
Accesorios: página 63.

LENGÜETAS								
Z	Z150	Z151	Z152	Z153	Z157	Z158	Z159	Z160
H	47	52	57	62	47	47	47	47
G	-	-	-	-	5	10	15	20

